

ROSMARINO[®]
YOUR FRIEND IN THE KITCHEN

Stand Mixer

Rosmarino Infinity PRO

SM- 1518



Instruction Manual





Technical Data

Model: SM-1518

Rated voltage: 220-240V~ 50-60Hz

Power consumption: 1400W

Protection class: II

General Safety Instructions

Read the operating instructions carefully before putting the appliance into operation and keep the instructions including the warranty, the receipt and, if possible, the box with the internal packing. If you give this device to other people, please also pass on the operating instructions.

The appliance is designed exclusively for private use and for the envisaged purpose. This appliance is not fit for commercial use. Do not use it outdoors (except if it is designed to be used outdoors). Keep it away from sources of heat, direct sunlight, humidity (never dip it into any liquid) and sharp edges. Do not use the appliance with wet hands. If the appliance is humid or wet, unplug it immediately.

When cleaning or putting it away, switch off the appliance and always pull out the plug from the socket (pull on the plug, not the cable) if the appliance is not being used and remove the attached accessories.

Do not operate the machine without supervision. If you should leave the workplace, always switch the machine off or remove the plug from the socket (pull the plug itself, not the lead).

Check the appliance and the cable for damage on a regular basis. Do not use the appliance if it is damaged.

Do not try to repair the appliance on your own. Always contact an authorized technician. To avoid the exposure to danger, always have a faulty cable be replaced only by the manufacturer, by our customer service or by a qualified person and with a cable of the same type.

Use only original spare parts. Pay careful attention to the following "Special Safety Instructions".

Children and Frail Individuals

To ensure your children's safety, please keep all packaging (plastic bags, boxes, polystyrene etc.) out of their reach.

Caution! Do not allow small children to play with the foil as there is a danger of suffocation! This appliance shall not be used by children. Keep the appliance and its cord out of reach of children.

This device is not a toy. Children shall not play with the appliance.

Appliances can be used by persons with reduced physical, sensory or mental capabilities or lack of experience

and knowledge if they have been given supervision or instruction concerning use of the appliance in a safe way

and if they understand the hazards involved.

Special safety Instructions for this Machine

Always disconnect the appliance from the supply if it is left unattended and before assembling, disassembling or cleaning.

Switch off the appliance and disconnect from supply before changing accessories or approaching parts that move in use.

Do not use appliance for other than intended purpose.

Caution: To avoid a hazard due to inadvertent resetting of the thermal cut-out, this appliance must not be supplied through an external switching device, such as a timer, or connected to a circuit that is regularly

switched on and off by the utility.

Only operate this machine under supervision.

Do not interfere with any safety switches.

Do not insert anything into the rotating hooks while the machine is working.

Place the machine on a smooth, flat, and stable working surface.

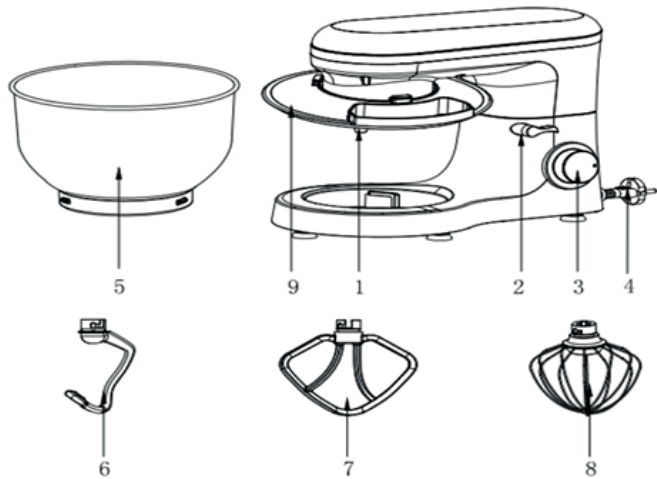
Do not insert the mains plug of the machine into the power socket without having installed all the necessary accessories.

Overview of the Components

Using the Mixing Bowl

- In order to lift the arm, clockwise rotation the Rise knob (2). The arm will now move upwards. (FIG1)
 - Place the pot cover into its body. (FIG2)
 - Place the mixing bowl into its holding device (Step1) and turn the bowl clockwise until it locks into place (Step 2). (FIG3)
 - Mount the required utensil (Dough hook or Beater or Whisk) by inserting the top into the output shaft, and turn anti-clockwise until it locks into place. (FIG4&FIG5)
 - Now fill in your ingredients.
- Do not overfill the machine - the maximum quantity of ingredients is 1.5kg.
- Lower the arm using the rise knob (2). (FIG6)
 - Insert the mains plug into a properly installed 220-240V 50/60 Hz safety power socket.

- 1 Output shaft
- 2 Rise knob
- 3 Speed knob
- 4 Power Cord
- 5 Mixing bowl
- 6 Dough hook
- 7 Beater
- 8 Whisk
- 9 Pot cover



- Switch the machine using the speed knob to a speed between 1 and 6 (corresponding to the mixture).
- For pulse operation (kneading at short intervals), turn the switch to the "PULSE" position. The switch must be held in this position according to the desired interval length. When the switch is released, it returns automatically to the "O" position.
- After kneading/stirring turn the speed knob (3) back to the "O" position as soon as the mixture has formed a ball. Then remove the mains plug.
- Push the rise knob (2) downwards and the arm will be raised.
- The mixture can now be released with the help of a spatula and removed from the mixing bowl.
- The mixing bowl can now be removed.
- Clean the parts as described under "Cleaning".



FIG1



FIG2



FIG3



FIG4






FIG5



FIG6

Adjusting the Levels and Using the Dough Hook for not more than 1.5kg of Mixture

| Use | Picture | Levels | Time (Min) | Maximum | Operation method |
|-------------------|-----------------------------------------------------------------------------------|--------|-------------|----------------------------|--------------------------------------------------------------------------------------------------------------|
| Dough hook |  | 1-3 | 3-5 | 1000g flour and 538g water | 1 speed run for 30s, the 2-speed run for 30s, and then the 3-speed run for 2 min to 4 min to form a cluster. |
| Beater |  | 2-4 | 3-5 | 660g flour and 840g water | 2 speed runs for 20s, the 4-speed run for more than 2min40s |
| Whisk |  | 6 | 3-10 | 3 egg whites (Minimum) | Open 6 speed to run 3min above. |

| Troubleshooting | | |
|------------------------|--------------------------------------------------------------------------------------------|--------------------------------------------------------------------------------------------------------------------------------------------------------------------------------------------------------------------------------------------------------------------------------|
| NO. | Troubles | Solution |
| 1 | The machine doesn't work | <ul style="list-style-type: none"> •Check if the plug is in good contact with the socket. •Check if the rise button spring back in place. •Check if the machine works continuously more than 6-10 minutes and wait until the motor cool down. |
| 2 | Noise in the mixing bowl when working (the accessory scraped the bowl) | <ul style="list-style-type: none"> •Check if the mixing bowl is properly installed. •Check if the accessory installed properly on machine. |
| 3 | The pot cover doesn't fit the mixing bowl properly | <ul style="list-style-type: none"> •Check if the pot cover placed on the machine properly. •Check if the mixing bowl installed properly on machine and locked correctly. |
| 4 | The machine doesn't work on certain speed | <ul style="list-style-type: none"> •Check if the mark on speed knob correspond to the speed silkscreen on housing. •Rotate speed knob to 0, and re-check if the machine works. |
| 5 | Movements when the machine working | <ul style="list-style-type: none"> •Check if the anti-slip feet fall off. •Check if the machine is placed on a smooth and flat tabletop. |
| 6 | The rise button didn't spring back in place after installing the mixing bowl and pot cover | <ul style="list-style-type: none"> •Check if the pot cover placed on the machine properly. •Check if the mixing bowl is properly installed. |

Cleaning

Before cleaning remove the mains lead from the socket.
Never immerse the housing with motor in water!
Do not use any sharp or abrasive detergents.

Motor Housing

Only a damp rinsing cloth should be used to clean the outside of the housing.

Mixing Bowl, Mixing Equipment

CAUTION:

- The components are not suitable for cleaning in a dishwasher. If exposed to heat or caustic cleaners, they might become misshapen or discolored.
- Components that have come into contact with food can be cleaned in soapy water.
- Allow the parts to dry thoroughly before reassembling the device.
- Please apply a small quantity of vegetable oil likely to the screens after they have dried.

Disposal



Do not dispose device in normal domestic waste.

Dispose of the device over a registered waste disposal firm or through your communal waste disposal facility.

Observe the currently valid regulations. In case of doubt, consult your waste disposal facility.

Warranty

The warranty provider and authorized service provider is AD Vita d.o.o., Tovarniška 7b, 3210 Slovenske Konjice, Slovenia, assumes the responsibility that the product will work flawlessly during the warranty period. During the warranty period, which begins with the delivery of the product, we will repair all imperfections and defects on the product that would occur as a result of normal use of the product. Warranty is voided when the product was tampered by person not authorized by the issuer of the warranty card or that the non-original parts were used for repair. If the product is not repaired within 45 days of receiving the service request, the warranty provider will replace it with a new, identical, and flawless product free of charge. The warranty period will be extended for the number of days the repair took.

The warranty does not cover:

1. mechanical damage and defects due to incorrect use and/or maintenance of the product.
2. damage caused by force majeure.
3. consumables.

The warranty is valid in the country in which the purchase was made and is enforced at the place where the purchase was made or from an authorized reseller for this market, which is specified in the product declaration on the packaging. The warranty does not exclude the consumer's rights arising from the seller's liability for defects in the supplied goods. The warranty period lasts 24 months. The importer for individual markets is responsible for the product repair.

Product: _____

Date of delivery of goods: _____

Tehnični podatki

Model: SM-1518

Nazivna napetost: 220-240V- 50-60Hz

Poraba energije: 1400W

Razred zaščite: II

Splošna varnostna navodila

Pred začetkom uporabe naprave skrbno preberite navodila za uporabo in jih shranite, vključno z garancijo, potrdilom o prejemu in, če je mogoče, škatlo z notranjo embalažo. Če napravo predate drugim osebam, jim posredujte tudi navodila za uporabo.

Naprava je zasnovana izključno za zasebno uporabo in za predvideni namen. Ta naprava ni primerna za komercialno uporabo. Ne uporabljajte je na prostem (razen če je namenjena za uporabo na prostem). Napravo hranite stran od virov toplote, neposredne sončne svetlobe, vlage (nikoli je ne potopite v tekočino) in ostrih robov. Napravo ne uporabljajte z mokrimi rokami. Če je naprava vlažna ali mokra, jo takoj izključite iz električnega omrežja.

Pri čiščenju ali shranjevanju izklopite napravo in vedno izvlecite vtič iz vtičnice (potegnite za vtič, ne za kabel), ter odstranite priloženo dodatno opremo, če naprave ne uporabljate.

Naprave ne uporabljajte brez nadzora. Če morate zapustiti delovni prostor, napravo vedno izklopite ali izvlecite vtič iz vtičnice (potegnite za sam vtič, ne za kabel).

Redno preverjajte, ali sta naprava in kabel poškodovana. Če je naprava poškodovana, je ne uporabljajte. Naprave ne poskušajte popraviti sami. Vedno se obrnite na pooblaščenega serviserja. Da bi se izognili izpostavljenosti nevarnosti, okvarjen kabel vedno zamenjajte le pri proizvajalcu, naši službi za pomoč strankam ali pri usposobljeni osebi in s kablom istega tipa. Uporabljajte samo originalne nadomestne dele.

Pozorno upoštevajte naslednja "Posebna varnostna navodila".

Otroci in slabotne osebe

Da bi zagotovili varnost svojih otrok, naj bo vsa embalaža (plastične vrečke, škatle, polistiren itd.) izven njihovega dosega.

Pozor! Majhnim otrokom ne dovolite, da se igrajo s folijo, saj obstaja **nevarnost zadužitve!**

Te naprave ne smejo uporabljati otroci. Napravo in priključni kabel hranite zunaj dosega otrok. Ta naprava ni igrača. Otroci se z napravo ne smejo igrati. Napravo lahko uporabljajo osebe z zmanjšanimi fizičnimi, senzoričnimi ali duševnimi sposobnostmi ali s pomanjkanjem izkušenj in znanja, če so pod nadzorom ali so bile poučene o uporabi naprave na varen način in če razumejo s tem povezane nevarnosti.

Posebna varnostna navodila za to napravo

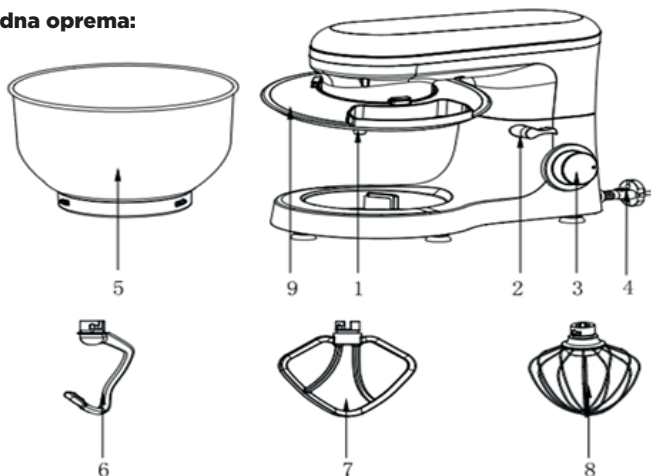
Vedno izključite napravo iz električnega omrežja, če jo pustite brez nadzora, in pred sestavljanjem, razstavljanjem ali čiščenjem. Izklopite napravo in jo odklopite od napajanja, preden zamenjate pribor ali se bližate delom, ki se med uporabo premikajo. Naprave ne uporabljajte za druge namene, kot je predvideno.

POZOR: Da bi se izognili nevarnosti zaradi nenamerne ponastavitve toplotnega odklopa, ta naprava ne sme biti napajana prek zunanje stikalne naprave, kot je časovnik, ali priključena na tokokrog, ki ga redno vklaplja in izklaplja komunalna služba. To napravo uporabljajte le pod nadzorom. Ne posegajte v varnostna stikala. Med delovanjem stroja ne vstavljajte ničesar v vrteče se ure. Napravo postavite na gladko, ravno in stabilno delovno površino. Ne vstavljajte napajalnega vtikača stroja v električno vtičnico, ne da bi predhodno namestili vso potrebno dodatno opremo.

Pregled sestavnih delov

Glavni sestavni deli in standardna oprema:

- 1 Izhodna gred
- 2 Gumb za dvig
- 3 Gumb za hitrost
- 4 Napajalni kabel
- 5 Posoda za mešanje
- 6 Kavelj za testo
- 7 Nastavek za mešanje
- 8 Metlica za stepanje
- 9 Pokrov za lonec



Uporaba mešalne posode

- Če želite dvigniti ročico, dvignite ročaj s kovinsko kroglo (2). Roka se bo zdaj premaknila navzgor. (FIG1)
- Pokrov posode vstavite v njeno telo. (FIG2)
- Postavite posodo za mešanje v njeno držalo (Korak 1) in jo obračajte v smeri urinega kazalca, dokler se ne zaskoči na mestu (Korak 2). (FIG3)
- Namestite zeleno posodo (Pripomoček za testo ali metlico ali stepalnik) tako, da vstavite vrh v izhodno gred, in ga zavrtite proti smeri urinega kazalca, dokler se ne zaskoči na mestu. (FIG4&FIG5)
- Dodajte sestavine.
- Naprave ne napolnite preveč - največja količina sestavin je 1,5 kg.
- Z uporabo kovinske kroglice za dvig ročaja (2) spustite roko. (FIG6)
- Omrežni vtič vstavite v ustrezno nameščeno varnostno vtičnico AC220-240V 50-60Hz.
- S pomočjo gumba za nastavev hitrosti preklopite stroj na hitrost med 1 in 6 (ki ustreza mešanici).
- Za pulzno delovanje (gnetenje v kratkih intervalih) obrnite stikalo v položaj "PULSE". Stikalo je treba držati v tem položaju glede na zeleno dolžino intervala. Ko stikalo sprostite, se samodejno vrne v položaj "0".
- Po gnetenju/mešanju obrnite gumb za nastavev hitrosti (3) nazaj v položaj "0", takoj ko zmes oblikuje kroglo. Nato izvlecite vtič iz električnega omrežja.
- Dvignite kovinsko kroglo ročaja (2) navzdol in roka se bo dvignila.
- Mešalnik lahko zdaj s pomočjo lopatice sprostite in jo odstranite iz mešalne posode.
- Posodo za mešanje lahko zdaj odstranite.
- Očistite dele, kot je opisano v poglavju "Čiščenje".



FIG1



FIG2



FIG3



FIG4






FIG5



FIG6

Nastavitev stopenj in uporaba nastavka za testo za največ 1,5 kg mešanice

| Uporaba | Slika | Stopnje | Čas(Min) | Maksimum | Koraki delovanja |
|--------------------------|-----------------------------------------------------------------------------------|---------|-------------|-------------------------|--------------------------------------------------------------------------------------------------------------------------------------------|
| Nastavek za testo |  | 1-3 | 3-5 | 1000g moke in 538g vode | 1-hitrostni način vožnje 30 sekund, 2-hitrostni način vožnje 30 sekund in nato 3-hitrostni način za 2 min do 4 min, da se oblikuje skupek. |
| Mešalnik |  | 2-4 | 3-5 | 660g moke in 840g vode | 2-hitrostni način za 20 s, 4-hitrostni način za več kot 2 min 40 s. |
| Metlica |  | 6 | 3-10 | 3 beljaki (minimalno) | Nastavite hitrost 5 ali 6 za zagon 3min. |

| Troubleshooting | | |
|-----------------|------------------------------------------------------------------------------------------|----------------------------------------------------------------------------------------------------------------------------------------------------------------------------------------------------------------|
| NO. | Troubles | Solution |
| 1 | Naprava ne deluje | -Preverite, ali se vtič dobro dotika vtičnice. -Preverite, ali je gumb za dvig vzmeti na svojem mestu. -Preverite, ali naprava deluje neprekinjeno več kot 6-10 minut, in počakajte, da se motor ohladi. |
| 2 | Hrup v posodi za mešanje med delom (pribor je poškodoval posodo) | -Preverite, ali je posoda za mešanje pravilno nameščena. -Preverite, ali je dodatna oprema pravilno nameščena na napravo. |
| 3 | Pokrov posode se ne prilega pravilno posodi za mešanje | -Preverite, ali je pokrov posode pravilno nameščen na napravo. -Preverite, ali je posoda za mešanje pravilno nameščena na napravo in pravilno zaklenjena. |
| 4 | Naprava ne deluje pri določeni hitrosti | -Preverite, ali se oznaka na gumbu za nastavitev hitrosti ujema z oznako hitrosti na ohišju. -Obrnite gumb za nastavitev hitrosti na 0 in ponovno preverite, ali naprava deluje. |
| 5 | Gibi med delovanjem stroja | -Preverite, ali protizdrsne nogice odpadajo. -Preverite, ali je naprava postavljena na gladko in ravno mizno ploščo. |
| 6 | Po namestitvi posode za mešanje in pokrova lonca se gumb za dvig ni vrnil na svoje mesto | -Preverite, ali je pokrov posode pravilno nameščen na napravo. -Preverite, ali je posoda za mešanje pravilno nameščena. |

Čiščenje

Pred čiščenjem izvlecite omrežni kabel iz vtičnice.
Ohišja z motorjem nikoli ne potopite v vodo!
Ne uporabljajte ostrih ali abrazivnih čistilnih sredstev.

Ohišje motorja

Za čiščenje zunanosti ohišja lahko uporabite le vlažno krpo za izpiranje.

Posoda za mešanje, oprema za mešanje

POZOR:

- Sestavni deli niso primerni za čiščenje v pomivalnem stroju. Če so izpostavljeni vročini ali jedkim čistilom, se lahko izkrivijo ali razbarvajo.
- Sestavne dele, ki so prišli v stik s hrano, lahko očistite z milnico.
- Preden napravo ponovno sestavite, počakajte, da se deli temeljito posušijo.
- Ko se gumbi posušijo, jih verjetno namažite z majhno količino rastlinskega olja.

Odlaganje odpadka



Naprave ne odlagajte med običajne gospodinske odpadke.

Napravo oddajte registriranemu podjetju za odstranjevanje odpadkov ali v komunalni zbiralnici odpadkov.

Upoštevajte trenutno veljavne predpise. V primeru dvoma se posvetujte s podjetjem za odstranjevanje odpadkov.

Garancija

Dajalec garancije in pooblaščen servis AD Vita d.o.o., Tovarniška 7b, 3210 Slovenske Konjice, Slovenija, prevzema obveznost, da bo izdelek v garancijskem roku brezhibno deloval. V garancijskem roku, ki začne teči z izročitvijo izdelka, bomo odstranili vse pomanjkljivosti in okvare na izdelku, ki bi nastale pri normalni rabi izdelka, pod pogojem, da v izdelek niso posegale osebe, ki nimajo pooblastila izdajatelja garancijskega lista in da so bili uporabljeni originalni rezervni deli. Če izdelek ne bo popravljen v 45 dneh od prejema zahteve za odpravo napake, ga bomo brezplačno zamenjali z novim, enakim in brezhibnim izdelkom. Garancijski rok bo podaljšan za toliko dni, kolikor je trajalo popravilo izdelka.

Garancija ne krije:

1. Mehanskih poškodb in napak zaradi nepravilne uporabe in vzdrževanja;
2. Okvar nastalih zaradi višje sile;
3. Potrošnega materiala.

Garancija velja na območju države v kateri je bil opravljen nakup in se uveljavlja na mestu kjer je bil opravljen nakup ali pri pooblaščenem uvozniku za ta trg, ki je naveden v deklaraciji izdelka na embalaži. Garancija ne izključuje pravic potrošnika, ki izhajajo iz odgovornosti prodajalca za napake na blagu. Garancijski rok znaša 24 mesecev. Za servisne storitve je zadolžen uvoznik za posamezno tržišče.

Ime izdelka: _____

Datum izročitve blaga: _____

Technische Daten

Modell: SM-1518

Leistungsaufnahme: 220-240V- 50-60Hz

Nennspannung: 1400W

Schutzklasse II

Allgemeine Sicherheitshinweise

Lesen Sie die Bedienungsanleitung vor der Inbetriebnahme des Gerätes sorgfältig durch und bewahren Sie die Anleitung einschließlich des Garantiescheines, der Quittung und möglichst auch des Kartons mit der inneren Verpackung auf. Wenn Sie dieses Gerät an andere Personen weitergeben, geben Sie bitte auch die Bedienungsanleitung weiter.

- Das Gerät ist ausschließlich für den privaten Gebrauch und für den vorgesehenen Zweck bestimmt. Dieses Gerät ist nicht für den gewerblichen Gebrauch geeignet. Benutzen Sie es nicht im Freien (es sei denn, es ist für die Verwendung im Freien vorgesehen). Halten Sie es von Wärmequellen, direkter Sonneneinstrahlung, Feuchtigkeit (niemals in Flüssigkeiten eintauchen) und scharfen Kanten fern. Benutzen Sie das Gerät nicht mit nassen Händen. Wenn das Gerät feucht oder nass ist, ziehen Sie sofort den Netzstecker.
- Schalten Sie das Gerät aus, wenn Sie es reinigen oder wegräumen, und ziehen Sie immer den Stecker aus der Steckdose (ziehen Sie am Stecker, nicht am Kabel), wenn das Gerät nicht benutzt wird, und entfernen Sie das beigelegte Zubehör.
- Bedienen Sie das Gerät nicht ohne Aufsicht. Wenn Sie den Arbeitsplatz verlassen, schalten Sie das Gerät immer aus oder ziehen Sie den Stecker aus der Steckdose (ziehen Sie am Stecker selbst, nicht am Kabel).
- Überprüfen Sie das Gerät und das Kabel regelmäßig auf Beschädigungen. Benutzen Sie das Gerät nicht, wenn es beschädigt ist. Versuchen Sie nicht, das Gerät selbst zu reparieren. Wenden Sie sich immer an einen autorisierten Techniker. Um eine Gefährdung zu vermeiden, lassen Sie ein defektes Kabel immer nur vom Hersteller, von unserem Kundendienst oder von einer qualifizierten Person und durch ein Kabel des gleichen Typs ersetzen.
- Verwenden Sie nur Original-Ersatzteile.
- Beachten Sie unbedingt die folgenden "Besonderen Sicherheitshinweise".

Kinder und gebrechliche Personen

- Um die Sicherheit Ihrer Kinder zu gewährleisten, bewahren Sie bitte alle Verpackungen (Plastiktüten, Schachteln, Styropor usw.) außerhalb ihrer Reichweite auf.
- **Vorsicht!** Lassen Sie kleine Kinder nicht mit der Folie spielen, es besteht **Erstickungsgefahr!**
- Dieses Gerät darf nicht von Kindern benutzt werden. Bewahren Sie das Gerät und sein Kabel außerhalb der Reichweite von Kindern auf. Dieses Gerät ist kein Spielzeug. Kinder dürfen nicht mit dem Gerät spielen.
- Das Gerät kann von Personen mit eingeschränkten körperlichen, sensorischen oder geistigen Fähigkeiten oder mangelnder Erfahrung und Kenntnis benutzt werden, wenn sie beaufsichtigt oder in die sichere Verwendung des Geräts eingewiesen wurden und wenn sie die damit verbundenen Gefahren verstehen. Um die Sicherheit Ihrer Kinder zu gewährleisten, bewahren Sie bitte alle Verpackungen (Plastiktüten, Schachteln, Styropor usw.) außerhalb ihrer Reichweite auf.

Besondere Sicherheitshinweise für diese Maschine

- Trennen Sie das Gerät immer von der Stromversorgung, wenn es unbeaufsichtigt gelassen wird und bevor Sie es zusammenbauen, zerlegen oder reinigen.
- Schalten Sie das Gerät aus und trennen Sie es von der Stromversorgung, bevor Sie Zubehörteile austauschen oder sich Teilen nähern, die sich während des Gebrauchs bewegen.
- Verwenden Sie das Gerät nicht für einen anderen als den vorgesehenen Zweck.
- **ACHTUNG:** Um eine Gefährdung durch versehentliches Zurücksetzen des Wärmeschutzschalters zu vermeiden, darf dieses Gerät nicht über ein externes Schaltgerät, wie z. B. eine Zeitschaltuhr, versorgt oder an einen Stromkreis angeschlossen werden, der

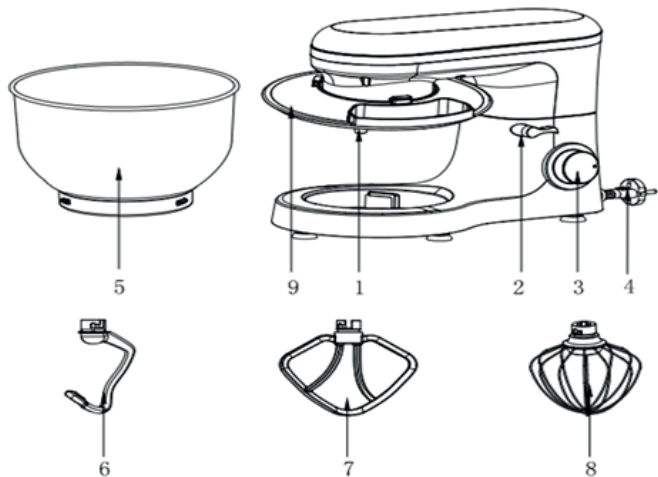
regelmäßig, vom Netzbetreiber ein- und ausgeschaltet wird.

- Betreiben Sie dieses Gerät nur unter Aufsicht.
- Greifen Sie nicht in den Sicherheitsschalter ein.
- Stecken Sie keine Gegenstände in die rotierenden Haken, während das Gerät im Betrieb ist.
- Stellen Sie das Gerät auf eine glatte, ebene und stabile Arbeitsfläche.
- Stecken Sie den Netzstecker der Maschine erst in die Steckdose, wenn Sie alle erforderlichen Zubehörteile installiert haben.

Überblick der Komponenten

Hauptkomponenten und Standardzubehör

- 1 Abtriebswelle
- 2 Drehknopf
- 3 Geschwindigkeitsregler
- 4 Netzkabel
- 5 Rührschüssel
- 6 Teighaken
- 7 Rührbesen
- 8 Schneebesens
- 9 Topfdeckel



Die Rührschüssel verwenden

- Um den Arm anzuheben, drehen Sie den Drehknopf Rise (2) im Uhrzeigersinn. Der Arm wird nun nach oben bewegt. (Bild1)
- Setzen Sie den Topfdeckel in sein Gehäuse. (Bild2)
- Setzen Sie die Rührschüssel in ihre Halterung (Schritt1) und drehen Sie die Schüssel im Uhrzeigersinn, bis sie einrastet (Schritt 2). (BILD3)
- Montieren Sie das gewünschte Utensil (Teighaken oder Rührbesen oder Schneebesens), indem Sie das Oberteil in die Abtriebswelle einsetzen, und gegen den Uhrzeigersinn drehen, bis er einrastet. (Bild4&Bild5)
- Füllen Sie nun Ihre Zutaten ein.
- Überfüllen Sie die Maschine nicht - die maximale Menge an Zutaten beträgt 1,5 kg.
- Senken Sie den Arm mit Hilfe des Drehknopfs(2). (Bild6)
- Stecken Sie den Netzstecker in eine ordnungsgemäß installierte AC220-240V 50-60Hz Schutzkontaktsteckdose.

- Schalten Sie die Maschine mit dem Geschwindigkeitsregler auf eine Geschwindigkeit zwischen 1 und 6 (entsprechend der Mischung).
- Für den Puls-Betrieb (Kneten in kurzen Intervallen) stellen Sie den Schalter auf die Position "PULSE". Der Schalter muss entsprechend der gewünschten Intervalllänge in dieser Stellung gehalten werden. Wenn der Schalter losgelassen wird, kehrt er automatisch in die Position "0" zurück.
- Nach dem Kneten/Rühren den Geschwindigkeitsregler (3) wieder in die Stellung "0" drehen, sobald die Mischung eine Ballform erreicht hat. Ziehen Sie dann den Netzstecker.
- Drücken Sie den Drehknopf (2) nach unten und der Arm wird angehoben.
- Die Mischung kann nun mit Hilfe eines Spatels gelöst und aus der Rührschüssel entfernt werden.
- Die Rührschüssel kann nun abgenommen werden.
- Reinigen Sie die Teile wie unter "Reinigung" beschrieben.



FIG1



FIG2



FIG3



FIG4



FIG5



FIG6

Einstellen der Stufen und Verwendung des Teighakens für nicht mehr als 1,5 kg Teigmenge

| Verwendung | Bild | Stufen | Zeit (Min) | Maximum | Bedienungsanleitung |
|--------------------|-----------------------------------------------------------------------------------|--------|-------------|----------------------------|-------------------------------------------------------------------------------------------------------------------------------------------------------------------------------------|
| Teighaken |  | 1-3 | 3-5 | 1000g Mehl und 538g Wasser | 1 Geschwindigkeit 30s lang laufen lassen, die 2 Geschwindigkeit 30s lang laufen lassen und dann die 3 Geschwindigkeit 2 min bis 4 min lang laufen lassen, um ein Cluster zu bilden. |
| Rührbesen |  | 2-4 | 3-5 | 660g flour and 840g water | 2 Geschwindigkeit für 20s, laufen lassen der 4-Gang-Lauf für mehr als 2min40s |
| Schneebesen |  | 6 | 3-10 | 3 Eiweiß (Minimum) | Öffnen Sie 6 Geschwindigkeit um 3min und über zu laufen. |

| Problemlösung | | |
|---------------|-----------------------------------------------------------------------------------------------------|------------------------------------------------------------------------------------------------------------------------------------------------------------------------------------------------------------------------------------------|
| NO. | Probleme | Lösung |
| 1 | Das Gerät funktioniert nicht | -Prüfen Sie, ob der Stecker richtig in der Steckdose sitzt. -Prüfen Sie, ob der Drehknopf wieder einrastet. -Prüfen Sie, ob das Gerät länger als 6-10 Minuten ununterbrochen arbeitet und warten Sie, bis der Motor abgekühlt ist. |
| 2 | Geräusche in Rührschüssel beim Arbeiten (das Zubehör kratzt in der Schüssel) | -Prüfen Sie, ob die Rührschüssel richtig eingesetzt ist. -Prüfen Sie, ob das Zubehör richtig auf dem Gerät installiert ist. |
| 3 | Der Topfdeckel passt nicht richtig auf die Rührschüssel | -Prüfen Sie, ob der Topfdeckel richtig auf dem Gerät angebracht ist. -Prüfen Sie, ob die Rührschüssel richtig auf dem Gerät installiert und korrekt verriegelt ist. |
| 4 | Das Gerät arbeitet nicht mit einer bestimmten Geschwindigkeit. | -Prüfen Sie, ob die Markierung auf dem Geschwindigkeitsregler mit dem Geschwindigkeits-Siebrdruck auf dem Gehäuse übereinstimmt. -Drehen Sie den Geschwindigkeitsregler auf 0, und prüfen Sie erneut, ob die Maschine funktioniert. |
| 5 | Bewegungen, wenn die Maschine läuft. | -Prüfen Sie, ob die Antirutschfüße abfallen. -Prüfen Sie, ob das Gerät auf einer glatten und ebenen Tischplatte steht. |
| 6 | Der Drehknopf ist nach dem Einsetzen der Rührschüssel und des Topfdeckels nicht wieder eingerastet. | -Prüfen Sie, ob der Topfdeckel richtig auf dem Gerät sitzt. -Prüfen Sie, ob die Rührschüssel richtig eingesetzt ist. |

Reinigung

Ziehen Sie vor der Reinigung das Netzkabel aus der Steckdose.
Tauchen Sie das Gehäuse mit Motor niemals in Wasser ein!
Verwenden Sie keine scharfen oder scheuernden Reinigungsmittel.

Motorgehäuse

Reinigen Sie die Außenseite des Gehäuses nur mit einem feuchten Spültuch.

Rührschüssel, Rührzubehör

VORSICHT:

- Die Komponenten sind nicht für die Reinigung in der Spülmaschine geeignet. Wenn sie Hitze oder ätzenden Reinigungsmitteln ausgesetzt werden, können sie sich verformen oder verfärben.
- Komponenten, die mit Lebensmitteln in Berührung gekommen sind, können in Seifenlauge gereinigt werden.
- Lassen Sie die Teile gründlich trocknen, bevor Sie das Gerät wieder zusammenbauen.
- Bitte tragen Sie eine kleine Menge Pflanzenöl auf die Siebe auf, nachdem sie getrocknet ist.

Beseitigung



Werfen Sie das Gerät nicht in den normalen Hausmüll.

Geben Sie das Gerät über ein zugelassenes Abfallunternehmen oder über Ihre kommunale Entsorgungsstelle ab.

Beachten Sie die jeweils gültigen Vorschriften. Im Zweifelsfall wenden Sie sich an Ihre Entsorgungsanlage.

Garantie

Der Garantieranbieter und autorisierte Dienstleister ist AD Vita d.o.o., Tovarniška 7b, 3210 Slovenske Konjice, Slowenien, übernimmt die Verantwortung dafür, dass das Produkt während der Garantiezeit einwandfrei funktioniert. Während der Garantiezeit Beginnend mit der Lieferung des Produkts reparieren wir alle auftretenden Mängel und Mängel am Produkt als Ergebnis der normalen Verwendung des Produkts. Die Garantie erlischt, wenn das Produkt von einer nicht autorisierten Person manipuliert wurde der Aussteller der Garantiekarte oder dass die nicht originalen Teile zur Reparatur verwendet wurden. Wenn das Produkt nicht innerhalb von 45 Tagen nach Erhalt der Serviceanfrage repariert wird, ersetzt der Garantieranbieter es durch a neues, identisches und einwandfreies Produkt kostenlos. Die Garantiezeit verlängert sich um die Anzahl der Reparaturtage dauerte.

Die Garantie gilt nicht für:

1. mechanische Schäden und Mängel aufgrund unsachgemäßer Verwendung und / oder Wartung des Produkts;
2. Schäden durch höhere Gewalt;
3. Verbrauchsmaterialien.

Die Garantie gilt in dem Land, in dem der Kauf getätigt wurde, und wird an dem Ort durchgesetzt, an dem der Kauf getätigt wurde hergestellt oder von einem autorisierten Wiederverkäufer für diesen Markt, der in der Produktdeklaration auf der Verpackung angegeben ist. Das Die Garantie schließt die Rechte des Verbrauchers aus der Haftung des Verkäufers für Mängel an der gelieferten Ware nicht aus. Die Garantiezeit beträgt 24 Monate. Der Importeur für einzelne Märkte ist für die Produktreparatur verantwortlich.

Product: _____

Datum der Lieferung der Ware: _____

Tehnički podaci

Model: SM-1518

Nominalni napon: 220-240V- 50-60Hz

Potrošnja energije: 1400W

Klasa zaštite: II

Opće upute sigurnosti

Prije puštanja uređaja u rad pažljivo pročitajte upute za uporabu i čuvajte upute uključujući jamstvo, račun i, ako je moguće, kutiju s unutarnjim pakiranjem. Ako ovaj uređaj date drugim osobama, prosljedite i upute za uporabu.

Aparat je namijenjen isključivo za privatnu uporabu i za predviđenu namjenu. Ovaj uređaj nije prikladan za komercijalnu uporabu. Nemojte ga koristiti na otvorenom (osim ako je dizajniran za korištenje na otvorenom). Držite ga podalje od izvora topline, izravne sunčeve svjetlosti, vlage (nikada ga ne umačite u tekućinu) i oštrih rubova. Nemojte koristiti uređaj mokrim rukama. Ako je uređaj vlažan ili mokar, odmah ga isključite iz struje.

Kada ga čistite ili odlažete, isključite uređaj i uvijek izvucite utikač iz utičnice (povucite utikač, a ne kabel) ako se uređaj ne koristi i uklonite priloženi pribor.

Nemojte koristiti stroj bez nadzora. Ako trebate napustiti radno mjesto, uvijek isključite stroj ili izvucite utikač iz utičnice (povucite sam utikač, a ne kabel).

Redovito provjeravajte oštećenje uređaja i kabela. Nemojte koristiti uređaj ako je oštećen. Ne pokušavajte sami popraviti uređaj. Uvijek kontaktirajte ovlaštenog tehničara. Kako biste izbjegli izlaganje opasnosti, uvijek neka neispravan kabel zamijeni samo proizvođač, naša služba za korisnike ili kvalificirana osoba i kabelom istog tipa.

Koristite samo originalne rezervne dijelove.

Obratite pozornost na sljedeće "Posebne sigurnosne upute".

Djeca i slabe osobe

Kako biste osigurali sigurnost vaše djece, svu ambalažu (plastične vrećice, kutije, polistiren itd.) držite izvan njihova dohvata.

Oprez! Nemojte dopustiti maloj djeci da se igraju s folijom jer postoji **opasnost od gušenja!**

Ovaj uređaj ne smiju koristiti djeca. Držite uređaj i njegov kabel izvan dohvata djece.

Ovaj uređaj nije igračka. Djeca se ne smiju igrati s uređajem.

Aparate mogu koristiti osobe sa smanjenim fizičkim, osjetilnim ili mentalnim sposobnostima ili s nedostatkom iskustva i znanje ako su dobili nadzor ili upute u vezi s korištenjem uređaja na siguran način i ako razumiju uključene opasnosti.

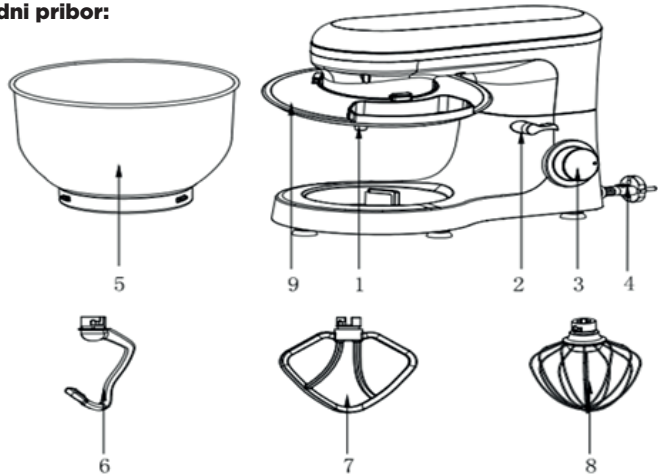
Posebne sigurnosne upute za ovaj stroj

- Uvijek isključite uređaj iz napajanja ako je ostavljen bez nadzora i prije sastavljanja, rastavljanja ili čišćenja.
- Isključite uređaj i isključite ga iz napajanja pre menjanja pribora ili približavanja delovima koji se umeću prilikom uporabe.
- Nemojte koristiti stroj za drugu namjenu osim predviđene.
- **OPREZ:** Kako bi se izbjegla opasnost zbog nenamjernog resetiranja toplinskog isključivanja, ovaj uređaj ne smije se napajati preko vanjskog sklopnog uređaja, kao što je mjerač vremena, niti biti spojen na strujni krug koji se redovito uključuje i isključuje od strane komunalne usluge.
- Rukujte ovim strojem samo pod nadzorom.
- Nemojte ometati nikakve sigurnosne prekidače.
- Nemojte ništa umetati u rotirajuće kuke dok stroj radi.
- Postavite stroj na glatku, ravnu i stabilnu radnu površinu.
- Nemojte umetati mrežni utikač uređaja u utičnicu bez instaliranja svih potrebnih dodataka.

Pregled sastavnih dijelova

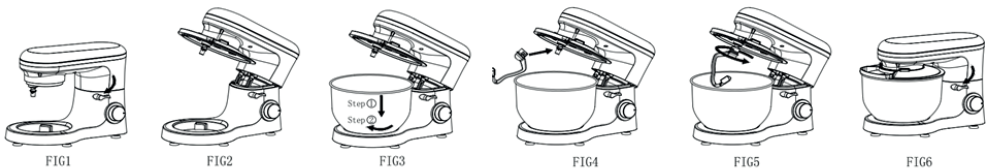
Glavne komponente i standardni pribor:

- 1 Izlazno vratilo
- 2 Gumb za podizanje
- 3 Gumb za brzinu
- 4 Kabel za napajanje
- 5 Zdjela za miješanje
- 6 Kuka za tijesto
- 7 Miješalica
- 8 Mutilica
- 9 Poklopac





Uporaba posude za miješanje

- Kako biste podigli ruku, okrenite gumb za podizanje (2) u smjeru kazaljke na satu. Ruka će se sada pomaknuti prema gore. (SL. 1)
- Stavite poklopac lonca u njegovo tijelo. (SLIKA 2)
- Stavite zdjelu za miješanje u uređaj za držanje (korak 1) i okrenite posudu u smjeru kazaljke na satu dok ne sjedne na mjesto (korak 2). (SLIKA 3)
- Montirajte potreban pribor (kuka za tijesto ili miješalica ili miješalica) umetanjem vrha u izlaznu osovinu, i okrenite u smjeru suprotnom od kazaljke na satu dok ne sjedne na svoje mjesto. (SLIKA 4 i SLIKA 5)
- Sada popunite svoje sastojke.
- Nemojte prepuniti aparat - maksimalna količina sastojaka je 1,5 kg.
- Spustite ruku pomoću gumba za podizanje (2). (SLIKA 6)
- Utaknite mrežni utikač u ispravno instaliranu sigurnosnu utičnicu od 220-240V 50/60 Hz.
- Prebacite stroj pomoću gumba za brzinu na brzinu između 1 i 6 (odgovarajući smjesi).
- Za pulsni rad (gnječenje u kratkim intervalima), okrenite prekidač u položaj "PULSE". Prekidač se mora držati u tom položaju prema željenoj duljini intervala. Kada se prekidač otpusti, automatski se vraća u položaj "0".
- Nakon gnječenja/miješanja okrenite gumb za brzinu (3) natrag u položaj "0" čim se smjesa formira u kuglu. Zatim izvadite mrežni utikač.
- Gurnite gumb za podizanje (2) prema dolje i ruka će se podići.
- Smjesu se sada može otpustiti uz pomoć lopatice i izvaditi iz posude za miješanje.
- Posuda za miješanje sada se može ukloniti.
- Očistite dijelove kako je opisano pod "Čišćenje".



Podlašavanje razina i korištenje kuke za tijesto za ne više od 1,5 kg smjese

| Uporaba | Slika | Razina | Vrijeme (Min) | Maksimalni | Radni koraci |
|------------------------|-----------------------------------------------------------------------------------|--------|---------------|--------------------------|----------------------------------------------------------------------------------------------------------------|
| Kuka za tijesto |  | 1-3 | 3-5 | 1000g brašna i 538g vode | 1. brzina da radi 30s, 2. brzina da radi 30s, i onda 3. brzina radi 2 min do 4 min da bi se napravilo tijesto. |
| Miješalica |  | 2-4 | 3-5 | 660g brašna i 840g vode | 2. brzina da radi 20s, 4. brzina više od 2min40s |
| Mutilica |  | 6 | 3-10 | 3 bjelanceta (Minimum) | Pustite 6. brzinu da radi preko 3min. |

| Troubleshooting | | |
|------------------------|----------------------------------------------------------------------------------------------------|------------------------------------------------------------------------------------------------------------------------------------------------------------------------------------------------------------------------------------------------------------------------------|
| NO. | Troubles | Solution |
| 1 | Stroj ne radi | <ul style="list-style-type: none"> •Provjerite je li utikač u dobrom kontaktu s utičnicom. •Provjerite je li gumb za podizanje opruge na mjestu. • Provjerite radi li stroj neprekidno više od 6-10 minuta i pričekajte da se motor ohladi. |
| 2 | Buka u posudi za miješanje pri radu (pribor je strugao posudu) | <ul style="list-style-type: none"> •Provjerite je li posuda za miješanje pravilno postavljena. • Provjerite je li pribor ispravno instaliran na stroju. |
| 3 | Poklopac lonca ne pristaje pravilno u posudu za miješanje | <ul style="list-style-type: none"> •Provjerite je li poklopac lonca pravilno postavljen na stroj. • Provjerite je li posuda za miješanje pravilno postavljena na stroj i dobro zaključana. |
| 4 | Stroj ne radi na određenoj brzini | <ul style="list-style-type: none"> •Provjerite odgovara li oznaka na gumbu za brzinu sitotiska na kućištu. • Okrenite gumb za brzinu na 0 i ponovno provjerite radi li stroj. |
| 5 | Pokreti tijekom rada stroja | <ul style="list-style-type: none"> •Provjerite otpadaju li nožice protiv klizanja. • Provjerite je li stroj postavljen na glatku i ravnu ploču. |
| 6 | Gumb za podizanje nije se vratio na mjesto nakon postavljanja posude za miješanje i poklopcu lonca | <ul style="list-style-type: none"> • Provjerite je li poklopac lonca pravilno postavljen na stroj. • Provjerite je li posuda za miješanje pravilno postavljena. |

Čišćenje

Prije čišćenja izvucite mrežni kabel iz utičnice.
Nikada ne uranjajte kućište s motorom u vodu!
Nemojte koristiti oštre ili abrazivne deterdžente.

Kućište motora

Za čišćenje vanjske strane kućišta treba koristiti samo vlažnu krpu za ispiranje.

Posuda za miješanje, oprema za miješanje

UPOZORENJE:

- Komponente nisu prikladne za pranje u perilici posuđa. Ako su izloženi toplini ili nagrizajućim sredstvima za čišćenje, mogu se deformirati ili promijeniti boju.
- Komponente koje su došle u dodir s hranom mogu se očistiti u vodi sa sapunom.
- Ostavite dijelove da se dobro osuše prije ponovnog sastavljanja uređaja.
- Nanesite malu količinu biljnog ulja na sita nakon što se osuše

Odlaganje



Ne bacajte uređaj u uobičajeni kućni otpad.

Odložite uređaj preko registrirane tvrtke za zbrinjavanje otpada ili putem svog komunalnog odlagališta otpada.

Pridržavajte se trenutno važećih propisa. U slučaju sumnje, obratite se svom odlagalištu otpada.

Jamstveni list

Davatelj jamstva i ovlaštenu servisera AD Vita d.o.o., Tovarniška 7b, 3210 Slovenske Konjice, Slovenija, preuzimaju obvezu da će proizvod raditi besprijekorno tijekom jamstvenog roka. Tijekom jamstvenog roka, koji započinje s isporukom proizvoda, uklonit ćemo sve nedostatke na proizvodu koji bi se pojavili tijekom pravilne uporabe proizvoda, pod uvjetom da proizvod nije predan kod neovlaštenog servisera i da je izvornik rezervnih dijelova. Ako se proizvod ne popravi u roku od 45 dana od primitka zahtjeva za otklanjanje oštećenja, besplatno ćemo ga zamijeniti novim, identičnim i besprijekornim proizvodom. Jamstveni rok produljit će se za toliko dana koliko je trajao popravak proizvoda.

Jamstvo ne pokriva:

1. mehanička oštećenja i oštećenja zbog nepravilne uporabe i održavanja;
2. šteta nastala uslijed više sile;
3. potrošni materijal.

Jamstvo vrijedi na području zemlje u kojoj je kupnja izvršena, a provodi se na mjestu gdje je kupnja izvršena ili kod ovlaštenog uvoznika za ovo tržište, što je navedeno u deklaraciji proizvoda na ambalaži. Jamstvo ne isključuje prava potrošača koja proizlaze iz odgovornosti prodavatelja za oštećenja robe. Jamstveni rok je 24 mjeseca. Uvoznik za pojedina tržišta je zadužen za uslugu.

Naziv proizvoda: _____

Datum isporuke robe: _____

Tehnički podaci

Model: SM-1518

Nominalni napon: 220-240V- 50-60Hz

Potrošnja energije: 1400W

Klasa zaštite: II

Opće upute sigurnosti

Pre puštanja uređaja u rad pažljivo pročitajte upute za upotrebu i čuvajte upute uključujući jamstvo, račun i, ako je moguće, kutiju s unutarnjim parkiranjem. Ako ovaj uređaj date drugim osobama, prosledite i upute za upotrebu.

Aparat je namenjen isključivo za privatnu upotrebu i za predviđenu namenu. Ovaj uređaj nije prikladan za komercijalnu upotrebu. Nemojte ga koristiti na otvorenom (osim ako je dizajniran za korišćenje na otvorenom). Držite ga podalje od izvora topline, izravne sunčeve svetlosti, vlage (nikada ga ne umačite u tekućinu) i oštrih rubova. Nemojte koristiti uređaj mokrim rukama. Ako je uređaj vlažan ili mokar, odmah ga isključite iz struje.

Kada ga čistite ili odlažete, isključite uređaj i uvek izvucite utikač iz utičnice (povucite utikač, a ne kabel) ako se uređaj ne koristi i uklonite priloženi pribor.

Nemojte koristiti stroj bez nadzora. Ako trebate napustiti radno mesto, uvek isključite stroj ili izvucite utikač iz utičnice (povucite sam utikač, a ne kabel).

Redovito proveravajte oštećenje uređaja i kabela. Nemojte koristiti uređaj ako je oštećen. Ne pokušavajte sami popraviti uređaj. Uvek kontaktirajte ovlaštenog tehničara. Kako biste izbegli izlaganje opasnosti, uvek neka neispravan kabel zameni samo proizvođač, naša služba za korisnike ili kvalificirana osoba i kabelom istog tipa.

Koristite samo originalne rezervne delove.

Obratite pozornost na sledeće "Posebne sigurnosne upute".

Deca i slabe osobe

Kako biste osigurali sigurnost vaše dece, svu ambalažu (plastične vrećice, kutije, polistiren itd.) držite izvan njihova dohvata.

Oprez! Nemojte dopustiti maloj deci da se igraju s folijom jer postoji **opasnost od gušenja!**

Ovaj uređaj ne smiju koristiti deca. Držite uređaj i njegov kabel izvan dohvata dece.

Ovaj uređaj nije igračka. Deca se ne smiju igrati s uređajem.

Aparate mogu koristiti osobe sa smanjenim fizičkim, osetilnim ili mentalnim sposobnostima ili s nedostatkom iskustva i znanje ako su dobili nadzor ili upute u vezi s korišćenjem uređaja na siguran način i ako razumeju uključene opasnosti.

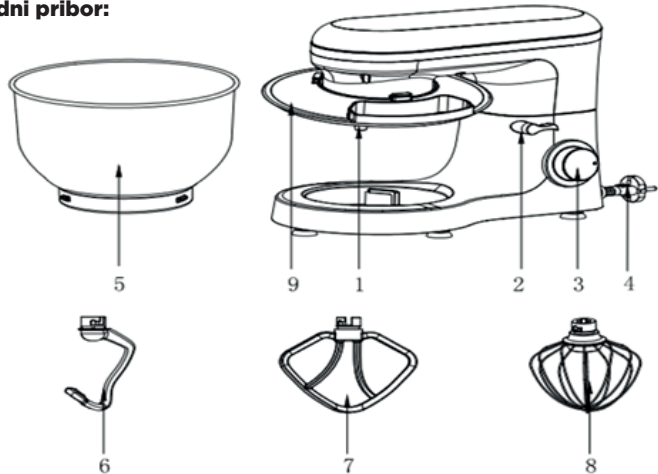
Posebne sigurnosne upute za ovaj stroj

- Uvek isključite uređaj iz napajanja ako je ostavljen bez nadzora i pre sastavljanja, rastavljanja ili čišćenja.
- Isključite uređaj i isključite ga iz napajanja pre menjanja pribora ili približavanja delovima koji se umeću prilikom upotrebe.
- Nemojte koristiti uređaj za drugu namenu osim predviđene.
- **OPREZ:** Kako bi se izbegla opasnost zbog nenamernog resetiranja toplinskog isključivanja, ovaj uređaj ne sme se napajati preko vanjskog sklopnog uređaja, kao što je merač vremena, niti biti spojen na strujni krug koji se redovito uključuje i isključuje od strane komunalne usluge.
- Rukujte ovim uređajem samo pod nadzorom.
- Nemojte ometati nikakve sigurnosne prekidače.
- Nemojte ništa umetati u rotirajuće kuke dok uređaj radi.
- Postavite ređaj na glatku, ravnu i stabilnu radnu površinu.
- Nemojte umetati mrežni utikač uređaja u utičnicu bez instaliranja svih potrebnih dodataka.

Pregled sastavnih delova

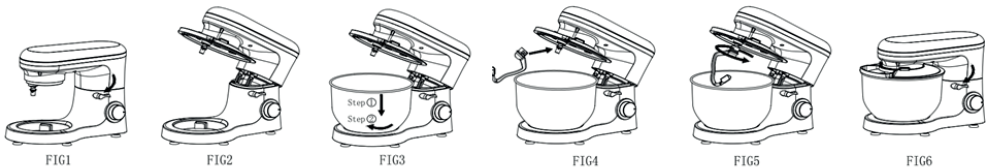
Glavne komponente i standardni pribor:

- 1 Izlazno vratilo
- 2 Dugme za podizanje
- 3 Dugme za brzinu
- 4 Kabel za napajanje
- 5 Zdjela za mešanje
- 6 Kuka za testo
- 7 Mešalica
- 8 Mutilica
- 9 Poklopac






Upotreba posude za mešanje

- Kako biste podigli ruku, okrenite dugme za podizanje (2) u smeru kazaljke na satu. Ruka će se sada pomaknuti prema gore. (SLIKA 1)
- Stavite poklopac lonca u njegovo telo. (SLIKA 2)
- Stavite zdelu za mešanje u uređaj za držanje (korak 1) i okrenite posudu u smeru kazaljke na satu dok ne sedne na mesto (korak 2). (SLIKA 3)
- Montirajte potreban pribor (kuka za testo ili mešalica ili mešalica) umetanjem vrha u izlaznu osovinu, i okrenite u smeru suprotnom od kazaljke na satu dok ne sedne na svoje mesto. (SLIKA 4 i SLIKA 5)
- Sada popunite svoje sastojke.
- Nemojte prepuniti aparat - maksimalna količina sastojaka je 1,5 kg.
- Spustite ručku pomoću dugmeta za podizanje (2). (SLIKA 6)
- Utaknite mrežni utikač u ispravno instaliranu sigurnosnu utičnicu od 220-240V 50/60 Hz.
- Prebacite uređaj pomoću dugmeta za brzinu na brzinu između 1 i 6 (odgovarajući smesi).
- Za pulsni rad (gnječenje u kratkim intervalima), okrenite prekidač u položaj "PULSE". Prekidač se mora držati u tom položaju prema željenoj dužini intervala. Kada se prekidač otpusti, automatski se vraća u položaj "0".
- Nakon gnječenja/mešanja okrenite dugme za brzinu (3) natrag u položaj "0" čim se smesa formira u kuglu. Zatim izvadite mrežni utikač.
- Gurnite dugme za podizanje (2) prema dolje i ručka će se podići.
- Smesa se sada može otpustiti uz pomoć lopatice i izvaditi iz posude za mešanje.
- Posuda za mešanje sada se može ukloniti.
- Očistite delove kako je opisano pod "Čišćenje".



Podlašavanje razina i korišćenje kuke za testo za ne više od 1,5 kg smese

| Upotreba | Slika | Razina | Vreme (Min) | Maksimalni | Radni koraci |
|----------------------|-----------------------------------------------------------------------------------|--------|-------------|--------------------------|--------------------------------------------------------------------------------------------------------------|
| Kuka za testo |  | 1-3 | 3-5 | 1000g brašna i 538g vode | 1. brzina da radi 30s, 2. brzina da radi 30s, i onda 3. brzina radi 2 min do 4 min da bi se napravilo testo. |
| Mešalica |  | 2-4 | 3-5 | 660g brašna i 840g vode | 2. brzina da radi 20s, 4. brzina više od 2min40s |
| Mutilica |  | 6 | 3-10 | 3 belanceta (Minimum) | Pustite 6. brzinu da radi preko 3min. |

| Rešavanje problema | | |
|--------------------|--------------------------------------------------------------------------------------------------|------------------------------------------------------------------------------------------------------------------------------------------------------------------------------------------------------------------------------------------------------------------------------|
| BR. | Problem | Rešenje |
| 1 | Uređaj ne radi | <ul style="list-style-type: none"> • Proverite je li utikač u dobrom kontaktu s utičnicom. • Proverite je li dugme za podizanje opruge na mestu. • Proverite radi li uređaj neprekidno više od 6-10 minuta i pričekajte da se motor ohladi. |
| 2 | Buka u posudi za mešanje pri radu (pribor je strugao posudu) | <ul style="list-style-type: none"> • Proverite je li posuda za mešanje pravilno postavljena. • Proverite je li pribor ispravno instaliran na uređaju. |
| 3 | Poklopac lonca ne pristaje pravilno u posudu za mešanje | <ul style="list-style-type: none"> • Proverite je li poklopac lonca pravilno postavljen na uređaj. • Proverite je li posuda za mešanje pravilno postavljena na uređaj i dobro zaključana. |
| 4 | Uređaj ne radi na određenoj brzini | <ul style="list-style-type: none"> • Proverite odgovara li oznaka na dugmetu za brzinu sitotiska mašine na kućištu. • Okrenite dugme za brzinu na 0 i ponovno proverite radi li uređaj. |
| 5 | Pokreti tekom rada uređaja | <ul style="list-style-type: none"> • Proverite otpadaju li nožice protiv klizanja. • Proverite je li uređaj postavljen na glatku i ravnu ploču. |
| 6 | Dugme za podizanje nije se vratilo na mesto nakon postavljanja posude za mešanje i poklopa lonca | <ul style="list-style-type: none"> • Proverite je li poklopac lonca pravilno postavljen na uređaj. • Proverite je li posuda za mešanje pravilno postavljena. |

Čišćenje

Pre čišćenja izvucite mrežni kabel iz utičnice.
Nikada ne uranjajte kućište s motorom u vodu!
Nemojte koristiti oštre ili abrazione deterdžente.

Kućište motora

Za čišćenje vanjske strane kućišta treba koristiti samo vlažnu krpu za ispiranje.

Posuda za mešanje, oprema za mešanje

UPOZORENJE:

- Komponente nisu prikladne za pranje u mašini za suđe. Ako su izloženi toplini ili nagrizajućim sredstvima za čišćenje, mogu se deformirati ili promijeniti boju.
- Komponente koje su došle u dodir s hranom mogu se očistiti u vodi sa sapunom.
- Ostavite delove da se dobro osuše pre ponovnog sastavljanja uređaja.
- Nanesite malu količinu biljnog ulja na sita nakon što se osuše

Odlaganje



Ne bacajte uređaj u uobičajeni kućni otpad.

Odložite uređaj preko registrirane tvrtke za zbrinjavanje otpada ili putem svog centra za odlaganje otpada.

Pridržavajte se trenutno važećih propisa. U slučaju sumnje, obratite se svom centru za odlaganje otpada.

Jamstveni list

Davatelj jamstva i ovlašteni serviser Vitapur d.o.o., Bulevar Arsebija Čarnojevića 99v, 11070 Novi Beograd, Srbija, preuzimaju obvezu da će proizvod raditi besprijekorno tijekom jamstvenog roka. Tijekom jamstvenog roka, koji započinje s isporukom proizvoda, uklonit ćemo sve nedostatke na proizvodu koji bi se pojavili tijekom pravilne uporabe proizvoda, pod uvjetom da proizvod nije predan kod neovlaštenog servisera i da je izvornik rezervnih dijelova. Ako se proizvod ne popravi u roku od 45 dana od primitka zahtjeva za otklanjanje oštećenja, besplatno ćemo ga zamijeniti novim, identičnim i besprijekornim proizvodom. Jamstveni rok produljit će se za toliko dana koliko je trajao popravak proizvoda.

Jamstvo ne pokriva:

1. mehanička oštećenja i oštećenja zbog nepravilne uporabe i održavanja;
2. šteta nastala uslijed više sile;
3. potrošni materijal.

Jamstvo vrijedi na području zemlje u kojoj je kupnja izvršena, a provodi se na mjestu gdje je kupnja izvršena ili kod ovlaštenog uvoznika za ovo tržište, što je navedeno u deklaraciji proizvoda na ambalaži. Jamstvo ne isključuje prava potrošača koja proizlaze iz odgovornosti prodavatelja za oštećenja robe. Jamstveni rok je 24 mjeseca. Uvoznik za pojedina tržišta je zadužen za uslugu.

Naziv proizvoda: _____

Datum isporuke robe: _____

Tehnički podaci

Model: SM-1518

Nominalni napon: 220-240V- 50-60Hz

Potrošnja energije: 1400W

Klasa zaštite: II

Opće upute sigurnosti

Pre puštanja uređaja u rad pažljivo pročitajte upute za upotrebu i čuvajte upute uključujući jamstvo, račun i, ako je moguće, kutiju s unutarnjim parkiranjem. Ako ovaj uređaj date drugim osobama, prosledite i upute za upotrebu. Aparat je namenjen isključivo za privatnu upotrebu i za predviđenu namenu. Ovaj uređaj nije prikladan za komercijalnu upotrebu. Nemojte ga koristiti na otvorenom (osim ako je dizajniran za korišćenje na otvorenom). Držite ga podalje od izvora topline, izravne sunčeve svetlosti, vlage (nikada ga ne umačite u tekućinu) i oštarih rubova. Nemojte koristiti uređaj mokrim rukama. Ako je uređaj vlažan ili moker, odmah ga isključite iz struje. Kada ga čistite ili odlažete, isključite uređaj i uvek izvucite utikač iz utičnice (povucite utikač, a ne kabel) ako se uređaj ne koristi i uklonite priloženi pribor. Nemojte koristiti stroj bez nadzora. Ako trebate napustiti radno mesto, uvek isključite stroj ili izvucite utikač iz utičnice (povucite sam utikač, a ne kabel). Redovito proveravajte oštećenje uređaja i kabela. Nemojte koristiti uređaj ako je oštećen. Ne pokušavajte sami popraviti uređaj. Uvek kontaktirajte ovlaštenog tehničara. Kako biste izbegli izlaganje opasnosti, uvek neka neispravan kabel zameni samo proizvođač, naša služba za korisnike ili kvalificirana osoba i kablom istog tipa. Koristite samo originalne rezervne delove. Obratite pozornost na sljedeće "Posebne sigurnosne upute".

Deca i slabe osobe

Kako biste osigurali sigurnost vaše dece, svu ambalažu (plastične vrećice, kutije, polistiren itd.) držite izvan njihova dohvata.

Oprez! Nemojte dopustiti maloj deci da se igraju s folijom jer postoji **opasnost od gušenja!**

Ovaj uređaj ne smiju koristiti deca. Držite uređaj i njegov kabel izvan dohvata dece.

Ovaj uređaj nije igračka. Deca se ne smiju igrati s uređajem.

Aparate mogu koristiti osobe sa smanjenim fizičkim, osetilnim ili mentalnim sposobnostima ili s nedostatkom iskustva i znanje ako su dobili nadzor ili upute u vezi s korišćenjem uređaja na siguran način i ako razumeju uključene opasnosti.

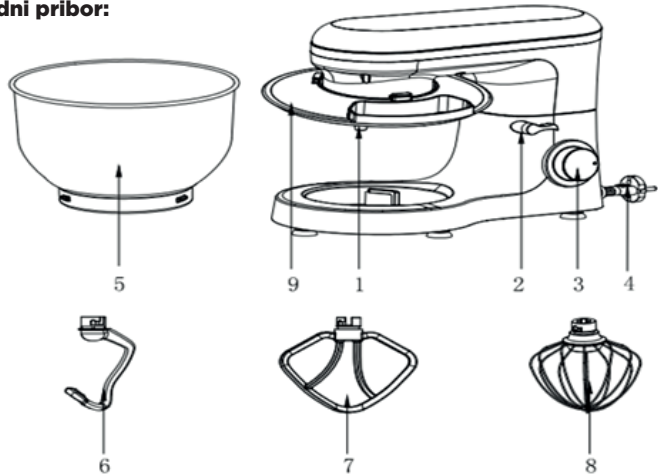
Posebne sigurnosne upute za ovaj stroj

- Uvek isključite uređaj iz napajanja ako je ostavljen bez nadzora i pre sastavljanja, rastavljanja ili čišćenja.
- Isključite uređaj i isključite ga iz napajanja pre menjanja pribora ili približavanja delovima koji se umeću prilikom upotrebe.
- Nemojte koristiti uređaj za drugu namenu osim predviđene.
- **OPREZ:** Kako bi se izbegla opasnost zbog nenamernog resetiranja toplinskog isključivanja, ovaj uređaj ne sme se napajati preko vanjskog sklopnog uređaja, kao što je merač vremena, niti biti spojen na strujni krug koji se redovito uključuje i isključuje od strane komunalne usluge.
- Rukujte ovim uređajem samo pod nadzorom.
- Nemojte ometati nikakve sigurnosne prekidače.
- Nemojte ništa umetati u rotirajuće kuke dok uređaj radi.
- Postavite ređaj na glatku, ravnu i stabilnu radnu površinu.
- Nemojte umetati mrežni utikač uređaja u utičnicu bez instaliranja svih potrebnih dodataka.

Pregled delova

Glavne komponente i standardni pribor:

- 1 Izlazno vratilo
- 2 Dugme za podizanje
- 3 Dugme za brzinu
- 4 Kabel za napajanje
- 5 Zdjela za mešanje
- 6 Kuka za testo
- 7 Mešalica
- 8 Mutilica
- 9 Poklopac



Upotreba posude za mešanje

- Kako biste podigli ruku, okrenite dugme za podizanje (2) u smeru kazaljke na satu. Ruka će se sada pomaknuti prema gore. (SLIKA 1)
- Stavite poklopac lonca u njegovo telo. (SLIKA 2)
- Stavite zdelu za mešanje u uređaj za držanje (korak 1) i okrenite posudu u smeru kazaljke na satu dok ne sedne na mesto (korak 2). (SLIKA 3)
- Montirajte potreban pribor (kuka za testo ili mešalica ili mešalica) umetanjem vrha u izlaznu osovinu, i okrenite u smeru suprotnom od kazaljke na satu dok ne sedne na svoje mesto. (SLIKA 4 i SLIKA 5)
- Sada popunite svoje sastojke.
- Nemojte prepuniti aparat - maksimalna količina sastojaka je 1,5 kg.
- Spustite ručku pomoću dugmeta za podizanje (2). (SLIKA 6)
- Utaknite mrežni utikač u ispravno instaliranu sigurnosnu utičnicu od 220-240V 50/60 Hz.
- Prebacite uređaj pomoću dugmeta za brzinu na brzinu između 1 i 6 (odgovarajući smesi).
- Za pulsni rad (gnječenje u kratkim intervalima), okrenite prekidač u položaj "PULSE". Prekidač se mora držati u tom položaju prema željenoj duljini intervala. Kada se prekidač otpusti, automatski se vraća u položaj "0".
- Nakon gnječenja/mešanja okrenite dugme za brzinu (3) natrag u položaj "0" čim se smesa formira u kuglu. Zatim izvadite mrežni utikač.
- Gurnite dugme za podizanje (2) prema dolje i ručka će se podići.
- Smesa se sada može otpustiti uz pomoć lopatice i izvaditi iz posude za mešanje.
- Posuda za mešanje sada se može ukloniti.
- Očistite delove kako je opisano pod "Čišćenje".



FIG1



FIG2



FIG3



FIG4






FIG5



FIG6

Podlašavanje razina i korišćenje kuke za testo za ne više od 1,5 kg smese

| Upotreba | Slika | Razina | Vreme (Min) | Maksimalni | Radni koraci |
|----------------------|-----------------------------------------------------------------------------------|--------|-------------|--------------------------|--------------------------------------------------------------------------------------------------------------|
| Kuka za testo |  | 1-3 | 3-5 | 1000g brašna i 538g vode | 1. brzina da radi 30s, 2. brzina da radi 30s, i onda 3. brzina radi 2 min do 4 min da bi se napravilo testo. |
| Mešalica |  | 2-4 | 3-5 | 660g brašna i 840g vode | 2. brzina da radi 20s, 4. brzina više od 2min40s |
| Mutilica |  | 6 | 3-10 | 3 belanceta (Minimum) | Pustite 6. brzinu da radi preko 3min. |

| Rešavanje problema | | |
|---------------------------|---------------------------------------------------------------------------------------------------|------------------------------------------------------------------------------------------------------------------------------------------------------------------------------------------------------------------------------------------------------------------------------|
| BR. | Problem | Rešenje |
| 1 | Uređaj ne radi | <ul style="list-style-type: none"> • Proverite je li utikač u dobrom kontaktu s utičnicom. • Proverite je li dugme za podizanje opruge na mestu. • Proverite radi li uređaj neprekidno više od 6-10 minuta i pričekajte da se motor ohladi. |
| 2 | Buka u posudi za mešanje pri radu (pribor je strugao posudu) | <ul style="list-style-type: none"> • Proverite je li posuda za mešanje pravilno postavljena. • Proverite je li pribor ispravno instaliran na uređaju. |
| 3 | Poklopac lonca ne pristaje pravilno u posudu za mešanje | <ul style="list-style-type: none"> • Proverite je li poklopac lonca pravilno postavljen na uređaj. • Proverite je li posuda za mešanje pravilno postavljena na uređaj i dobro zaključana. |
| 4 | Uređaj ne radi na određenoj brzini | <ul style="list-style-type: none"> • Proverite odgovara li oznaka na dugmetu za brzinu sitotiska mašine na kućištu. • Okrenite dugme za brzinu na 0 i ponovno proverite radi li uređaj. |
| 5 | Pokreti tekom rada uređaja | <ul style="list-style-type: none"> • Proverite otpadaju li nožice protiv klizanja. • Proverite je li uređaj postavljen na glatku i ravnu ploču. |
| 6 | Dugme za podizanje nije se vratilo na mesto nakon postavljanja posude za mešanje i poklopca lonca | <ul style="list-style-type: none"> • Proverite je li poklopac lonca pravilno postavljen na uređaj. • Proverite je li posuda za mešanje pravilno postavljena. |

Čišćenje

Pre čišćenja izvucite mrežni kabel iz utičnice.
Nikada ne uranjajte kućište s motorom u vodu!
Nemojte koristiti oštre ili abrazione deterdžente.

Kućište motora

Za čišćenje vanjske strane kućišta treba koristiti samo vlažnu krpu za ispiranje.

Posuda za mešanje, oprema za mešanje

UPOZORENJE:

- Komponente nisu prikladne za pranje u mašini za suđe. Ako su izloženi toplini ili nagrizajućim sredstvima za čišćenje, mogu se deformirati ili promijeniti boju.
- Komponente koje su došle u dodir s hranom mogu se očistiti u vodi sa sapunom.
- Ostavite delove da se dobro osuše pre ponovnog sastavljanja uređaja.
- Nanesite malu količinu biljnog ulja na sita nakon što se osuše

Odlaganje



Ne bacajte uređaj u uobičajeni kućni otpad.

Odložite uređaj preko registrirane tvrtke za zbrinjavanje otpada ili putem svog centra za odlaganje otpada.

Pridržavajte se trenutno važećih propisa. U slučaju sumnje, obratite se svom centru za odlaganje otpada.

Garancija

Davalac garancije i ovlašćeni serviser Vitapur d.o.o., Sv Petra Cetinjskog 130, 81000 Podgorica, Crna Gora, obavezuje se da će proizvod raditi besprekorno tokom garantnog perioda. Tokom garantnog roka, koji započinje isporukom proizvoda, uklonićemo sve nedostatke i kvarove na proizvodu koji bi se pojavili tokom upotrebe proizvoda, pod uslovom da se proizvod koristi u skladu sa njegovom namjenom i da proizvod nisu servisirale osobe koje nisu ovlašćene od strane izdavaoca garancije, te da su prilikom korišćenja uređaja upotrebljavani originalni rezervni djelovi. Ako proizvod ne bude popravljen u roku od 45 dana od prijema zahtjeva za otklanjanje oštećenja, zamijenićemo ga novim, identičnim i ispravnim proizvodom besplatno. Garantni rok će biti produžen za onoliko dana koliko je trajala popravka proizvoda.

Garancija ne pokriva:

1. mehanička oštećenja i oštećenja usljed nepravilne upotrebe i održavanja;
2. oštećenja nastala usljed više sile;
3. potrošni materijal.

Garancija važi na teritoriji zemlje u kojoj je obavljena kupovina, a primjenjuje se na mjestu obavljene kupovine ili kod ovlašćenog uvoznika za ovo tržište, što je navedeno u deklaraciji proizvoda na pakovanju. Garancija ne isključuje prava potrošača koja proističu iz zakonske odgovornosti prodavca za oštećenja na robi. Garantni rok je 24 mjeseca. Uvoznik za svako tržište je zadužen za uslugu servisiranja.

Naziv proizvoda: _____

Datum isporuke/preuzimanja proizvoda: _____

Tehnički podaci

Model: SM-1518

Nominalni napon: 220-240V- 50-60Hz

Potrošnja energije: 1400W

Klasa zaštite: II

Opća uputstva sigurnosti

Prije puštanja uređaja u rad pažljivo pročitajte uputstva za upotrebu i čuvajte uputstvo uključujući garanciju, račun i, ako je moguće, kutiju s unutrašnjim pakovanjem. Ako ovaj uređaj date drugim osobama, prosljedite i uputstvo za upotrebu. Aparat je namijenjen isključivo za privatnu upotrebu i za predviđenu namjenu. Ovaj uređaj nije prikladan za komercijalnu upotrebu. Nemojte ga koristiti na otvorenom (osim ako je dizajniran za korištenje na otvorenom). Držite ga podalje od izvora toplote, izravne sunčeve svjetlosti, vlage (nikada ga ne umaćite u tekućinu) i oštih čoškova. Nemojte koristiti uređaj mokrim rukama. Ako je uređaj vlažan ili moker, odmah ga isključite iz struje. Kada ga čistite ili odlažete, isključite uređaj i uvijek izvucite utikač iz utičnice (povucite utikač, a ne kabal) ako se uređaj ne koristi i uklonite priloženi pribor. Nemojte koristiti uređaj bez nadzora. Ako trebate napustiti radno mjesto, uvijek isključite uređaj ili izvucite utikač iz utičnice (povucite sam utikač, a ne kabal). Redovno provjeravajte oštećenje uređaja i kabla. Nemojte koristiti uređaj ako je oštećen. Ne pokušavajte sami popraviti uređaj. Uvijek kontaktirajte ovlaštenog tehničara. Kako biste izbjegli izlaganje opasnosti, uvijek neka neispravan kabal zamijeni samo proizvođač, naša služba za korisnike ili kvalifikovana osoba i kablom istog tipa. Koristite samo originalne rezervne dijelove. Obratite pozornost na sljedeće "Posebna sigurnosna uputstva".

Djeca i slabe osobe

Kako biste osigurali sigurnost vaše djece, svu ambalažu (plastične vrećice, kutije, polistiren itd.) držite izvan njihova dohvata.

Oprez! Nemojte dopustiti maloj djeci da se igraju s folijom jer postoji **opasnost od gušenja!**

Ovaj uređaj ne smiju koristiti djeca. Držite uređaj i njegov kabal izvan dohvata djece.

Ovaj uređaj nije igračka. Djeca se ne smiju igrati s uređajem.

Aparate mogu koristiti osobe sa smanjenim fizičkim, osjetilnim ili mentalnim sposobnostima ili s nedostatkom iskustva i znanje ukoliko su dobili nadzor ili uputstva u vezi sa rukovanjem uređaja na siguran način i ako razumiju uključene opasnosti.

Posebna sigurnosna uputstva za ovaj uređaj

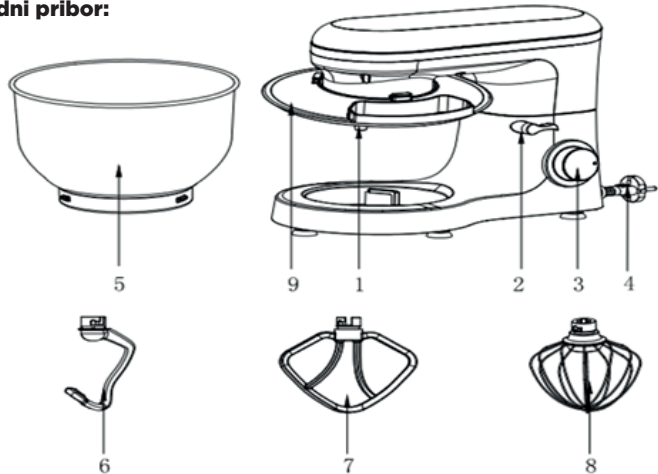
Uvijek isključite uređaj iz napajanja ako je ostavljen bez nadzora i prije sastavljanja, rastavljanja ili čišćenja. Isključite uređaj i isključite ga iz napajanja pre menjanja pribora ili približavanja delovima koji se umeću prilikom upotrebe. Nemojte koristiti uređaj za drugu namjenu osim predviđene.

OPREZ: Kako bi se izbjegla opasnost zbog nenamjernog resetiranja toplinskog isključivanja, ovaj uređaj ne smije se napajati preko vanjskog sklopnog uređaja, kao što je mjerač vremena, niti biti spojen na strujni krug koji se redovno uključuje i isključuje od strane komunalne usluge. Rukujte ovim uređajem samo pod nadzorom. Nemojte ometati nikakve sigurnosne prekidače. Nemojte ništa umetati u rotirajuće kuke dok uređaj radi. Postavite uređaj na glatku, ravnu i stabilnu radnu površinu. Nemojte umetati mrežni utikač uređaja u utičnicu bez instaliranja svih potrebnih dodataka.

Pregled dijelova

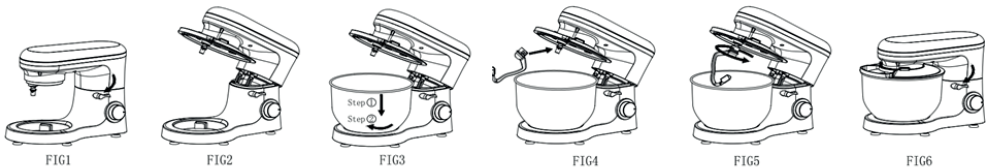
Glavne komponente i standardni pribor:

- 1 Izlazno vratilo
- 2 Dugme za podizanje
- 3 Dugme za brzinu
- 4 Kabal za napajanje
- 5 Zdjela za mješanje
- 6 Kuka za tijesto
- 7 Miješalica
- 8 Mutilica
- 9 Poklopac






Upotreba zdjele za miješanje

- Kako biste podigli ručku, okrenite dugme za podizanje (2) u smjeru kazaljke na satu. Ručka će se sada pomaknuti prema gore. (SL. 1)
- Stavite poklopac lonca u njegovo tijelo. (SLIKA 2)
- Stavite zdjelu za miješanje u uređaj za držanje (korak 1) i okrenite posudu u smjeru kazaljke na satu dok ne sjedne na mjesto (korak 2). (SLIKA 3)
- Montirajte potreban pribor (kuka za tijesto ili miješalica ili miješalica) umetanjem vrha u izlaznu osovinu, i okrenite u smjeru suprotnom od kazaljke na satu dok ne sjedne na svoje mjesto. (SLIKA 4 i SLIKA 5)
- Sada popunite svoje sastojke.
- Nemojte prepuniti aparat - maksimalna količina sastojaka je 1,5 kg.
- Spustite ručku pomoću dugmeta za podizanje (2). (SLIKA 6)
- Utaknite mrežni utikač u ispravno instaliranu sigurnosnu utičnicu od 220-240V 50/60 Hz.
- Prebacite uređaj pomoću dugmeta za brzinu na brzinu između 1 i 6 (odgovarajući smjesi).
- Za pulsni rad (gnječenje u kratkim intervalima), okrenite prekidač u položaj "PULSE". Prekidač se mora držati u tom položaju prema željenoj duljini intervala. Kada se prekidač otpusti, automatski se vraća u položaj "0".
- Nakon gnječenja/miješanja okrenite dugme za brzinu (3) natrag u položaj "0" čim se smjesa formira u kuglu. Zatim izvadite mrežni utikač.
- Gurnite dugme za podizanje (2) prema dolje i ručka će se podići.
- Smjesu se sada može otpustiti uz pomoć lopatice i izvaditi iz posude za miješanje.
- Posuda za miješanje sada se može ukloniti.
- Očistite dijelove kako je opisano pod "Čišćenje".



Podlašavanje razina i rukovanje sa kukom za tijesto za ne više od 1,5 kg smjese

| Upotreba | Slika | Razina | Vreme (Min) | Maksimalni | Radni koraci |
|------------------------|-----------------------------------------------------------------------------------|--------|-------------|--------------------------|----------------------------------------------------------------------------------------------------------------|
| Kuka za tijesto |  | 1-3 | 3-5 | 1000g brašna i 538g vode | 1. brzina da radi 30s, 2. brzina da radi 30s, i onda 3. brzina radi 2 min do 4 min da bi se napravilo tijesto. |
| Miješalica |  | 2-4 | 3-5 | 660g brašna i 840g vode | 2. brzina da radi 20s, 4. brzina više od 2min40s |
| Mutilica |  | 6 | 3-10 | 3 bjelancetas (Minimum) | Pustite 6. brzinu da radi preko 3min. |

| Rešavanje problema | | |
|--------------------|-----------------------------------------------------------------------------------------------------|-------------------------------------------------------------------------------------------------------------------------------------------------------------------------------------------------------------------------------------------------------------------------------|
| BR. | Problem | Rešenje |
| 1 | Uređaj ne radi | <ul style="list-style-type: none"> •Provjerite je li utikač u dobrom kontaktu s utičnicom. •Provjerite je li gumb za podizanje opruge na mjestu. • Provjerite radi li uređaj neprekidno više od 6-10 minuta i pričekajte da se motor ohladi. |
| 2 | Buka u posudi za miješanje pri radu (pribor je strugao posudu) | <ul style="list-style-type: none"> •Provjerite je li posuda za miješanje pravilno postavljena. • Provjerite je li pribor ispravno instaliran na uređaju. |
| 3 | Poklopac lonca ne pristaje pravilno u posudu za miješanje | <ul style="list-style-type: none"> •Provjerite je li poklopac lonca pravilno postavljen na uređaj. • Provjerite je li posuda za miješanje pravilno postavljena na uređaj i dobro zaključana. |
| 4 | Uređaj ne radi na određenoj brzini | <ul style="list-style-type: none"> •Provjerite odgovara li oznaka na gumbu za brzinu sitotiski na kućištu. • Okrenite d za brzinu na 0 i ponovno provjerite radi li uređaj. |
| 5 | Pokreti u toku rada uređaja | <ul style="list-style-type: none"> •Provjerite otpadaju li nožice protiv klizanja. • Provjerite je li uređaj postavljen na glatku i ravnu ploču. |
| 6 | Dugme za podizanje se nije vratilo na mjesto nakon postavljanja posude za miješanje i poklopa lonca | <ul style="list-style-type: none"> • Provjerite je li poklopac lonca pravilno postavljen na uređaj. • Provjerite je li posuda za miješanje pravilno postavljena. |

Čišćenje

Prije čišćenja izvucite mrežni kabal iz utičnice.
Nikada ne uranjajte kućište s motorom u vodu!
Nemojte koristiti oštre ili abrazivne deterdžente.

Kućište motora

Za čišćenje vanjske strane kućišta treba koristiti samo vlažnu krpu za ispiranje.

Posuda za miješanje, oprema za miješanje

UPOZORENJE:

- Komponente nisu prikladne za pranje u perilici posuđa. Ako su izloženi toplini ili nagrizajućim sredstvima za čišćenje, mogu se deformirati ili promijeniti boju.
- Komponente koje su došle u dodir s hranom mogu se očistiti u vodi sa sapunom.
- Ostavite dijelove da se dobro osuše prije ponovnog sastavljanja uređaja.
- Nanesite malu količinu biljnog ulja na sita nakon što se osuše.

Odlaganje



Ne bacajte uređaj u uobičajeni kućni otpad.

Odložite uređaj preko registrovane firme za zbrinjavanje otpada ili putem svog komunalnog odlagališta otpada.

Pridržavajte se trenutno važećih propisa. U slučaju sumnje, obratite se svom odlagalištu otpada.

Garancija

Davalac garancije i ovlaštenu servisera Vitapur d.o.o., Grbavička 4, 71000 Sarajevo, BiH, obavezuje se da će proizvod raditi besprijekorno tokom garantnog perioda. Tokom garantnog roka, koji započinje isporukom proizvoda, uklonićemo sve nedostatke i kvarove na proizvodu koji bi se pojavili tokom upotrebe proizvoda, pod uslovom da se proizvod koristi u skladu sa njegovom namjenom i da proizvod nisu servisirale osobe koje nisu ovlašćene od strane izdavaoca garancije, te da su prilikom korišćenja uređaja upotrebljavani originalni rezervni dijelovi. Ako proizvod ne bude popravljen u roku od 30 dana od prijema zahtjeva za otklanjanje oštećenja, zamijenimo ga novim, identičnim i ispravnim proizvodom besplatno. Garantni rok će biti produžen za onoliko dana koliko je trajala popravka proizvoda.

Garancija ne pokriva:

1. mehanička oštećenja i oštećenja usljed nepravilne upotrebe i održavanja;
2. oštećenja nastala usljed više sile;
3. potrošni materijal.

Garancija važi na teritoriji zemlje u kojoj je obavljena kupovina, a primjenjuje se na mjestu obavljene kupovine ili kod ovlašćenog uvoznika za ovo tržište, što je navedeno u deklaraciji proizvoda na pakovanju. Garancija ne isključuje prava potrošača koja proističu iz zakonske odgovornosti prodavca za oštećenja na robi. Garantni rok je 24 mjeseca. Uvoznik za svako tržište je zadužen za uslugu servisiranja.

Naziv proizvoda: _____

Datum isporuke/preuzimanja proizvoda: _____

Date Tehnice

Model: SM-1518

Tensiune nominală: 220-240V~ 50-60Hz

Consum de energie electrică: 1400W

Clasă de protecție: II

Instrucțiuni Generale de Siguranță

Citiți cu atenție instrucțiunile de utilizare înainte de a pune în funcțiune aparatul și păstrați instrucțiunile, inclusiv garanția, chitanța și, dacă este posibil, cutia cu ambalajul intern. Dacă dați acest aparat altor persoane, vă rugăm să le înmânați și instrucțiunile de utilizare.

Aparatul este conceput exclusiv pentru uz personal și pentru scopul prevăzut. Acest aparat nu este potrivit pentru uz comercial. Nu îl utilizați în exterior (cu excepția cazului în care este proiectat pentru a fi utilizat în exterior). Păstrați-l departe de sursele de căldură, de lumina directă a soarelui, de umiditate (nu-l scufundați niciodată în vreun lichid) și de marginile ascuțite. Nu utilizați aparatul cu mâinile umede. Dacă aparatul este umed sau ud, scoateți-l imediat din priză. Când îl curățați sau îl depozitați, opriți aparatul și scoateți întotdeauna ștecherul din priză (trageți de ștecher, nu de cablu) dacă aparatul nu este utilizat și scoateți accesoriile atașate. Nu folosiți utilajul fără supraveghere. Dacă trebuie să părăsiți locul de muncă, opriți întotdeauna utilajul sau scoateți ștecherul din priză (trageți de ștecherul propriu-zis, nu de cablu). Verificați în mod regulat dacă aparatul și cablul nu sunt deteriorate. Nu utilizați aparatul dacă este deteriorat. Nu încercați să reparați aparatul pe cont propriu. Contactați întotdeauna un tehnician autorizat. Pentru a evita expunerea la pericol, asigurați-vă întotdeauna că un cablu defect este înlocuit numai de către producător, de către serviciul nostru de asistență pentru clienți sau de către o persoană calificată și cu un cablu de același tip. Utilizați doar piese de schimb originale. Acordați o atenție deosebită următoarelor, Instrucțiuni Speciale de Siguranță.

Copii și Persoane Fragile

Pentru a asigura siguranța copiilor dvs., vă rugăm să păstrați toate ambalajele (pungi de plastic, cutii, polistiren etc.) departe de ei.

Atenție! Nu permiteți copiilor mici să se joace cu folia deoarece există **pericol de sufocare!**

Acest aparat nu trebuie utilizat de către copii. Păstrați aparatul și cablul acestuia în afara sferei de activitate a copiilor. Acest dispozitiv nu este o jucărie. Copiii nu trebuie să se joace cu aparatul.

Aparatele pot fi utilizate de persoane cu capacități fizice, senzoriale sau mentale reduse sau cu lipsă de experiență și cunoștințe, dacă acestea au fost supravegheate sau instruite cu privire la utilizarea aparatului în condiții de siguranță și dacă acestea înțeleg pericolele implicate.

Instrucțiuni Speciale de Siguranță Pentru Acest Aparat

Deconectați întotdeauna aparatul de la alimentare dacă este lăsat nesupravegheat și înainte de a-l asambla, dezasambla sau curăța.

Opriți aparatul și deconectați-l de la alimentare înainte de a schimba accesoriile sau de a vă apropia de piesele care se mișcă în timpul utilizării.

Nu utilizați aparatul în alt scop decât cel prevăzut

Atenție: Pentru a evita un pericol datorat resetării involuntare a întrerupătorului termic, acest aparat nu trebuie alimentat prin intermediul unui dispozitiv de comutare extern, cum ar fi un temporizator, sau conectat la un circuit care este periodic pornit și oprit de către serviciul public.

Utilizați acest aparat numai sub supraveghere.

Nu interveniți asupra niciunui întrerupător de siguranță.

Nu introduceți nimic în cârligele rotative în timp ce aparatul este în funcțiune.

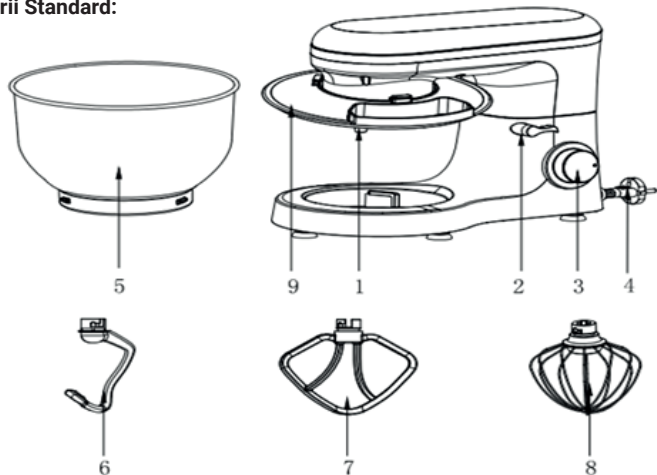
Așezați aparatul pe o suprafață de lucru netedă, plană și stabilă.

Nu introduceți ștecherul aparatului în priză fără să fi instalat toate accesoriile necesare. accesorii.

Prezentare Generală a Componentelor

Componente Principale și Accesorii Standard:

- 1 Arbore de ieșire
- 2 Buton de ridicare
- 3 Buton de viteză
- 4 Cablu de alimentare
- 5 Arc pentru amestecare
- 6 Cârlig pentru aluat
- 7 Bătător
- 8 Mixer
- 9 Capacul vasului






Folosirea Bolului Pentru Amestecare

- Pentru a ridica brațul, rotiți în sensul acelor de ceasornic butonul Rise (2). Brațul se va deplasa acum în sus. (FIG1)
- Așezați capacul vasului în interiorul său. (FIG2)
- Așezați bolul pentru amestecare în dispozitivul de fixare (Pasul 1) și rotiți bolul în sensul acelor de ceasornic până când se blochează în poziție (Pasul 2). (FIG3)
- Montați ustensila necesară (Cârligul pentru Aluat, Bătătorul sau Mixerul) prin introducerea vârfului în arborele de ieșire și rotiți-o în sens invers acelor de ceasornic până când se blochează în poziție. (FIG4&FIG5)
- Acum adăugați ingredientele.
- Nu umpleți prea mult aparatul - cantitatea maximă de ingrediente este de 1,5 kg.
- Coborâți brațul cu ajutorul butonului de ridicare (2). (FIG6)
- Introduceți ștecherul într-o priză de siguranță de 220-240V 50/60 Hz instalată corespunzător.
- Comutați aparatul cu ajutorul butonului de viteză la o viteză între 1 și 6 (corespunzătoare amestecului).
- Pentru o funcționare cu impulsuri (frământare la intervale scurte), rotiți comutatorul în poziția PULSE. Comutatorul trebuie menținut în această poziție în funcție de durata intervalului dorit. Când comutatorul este eliberat, acesta revine automat în poziția „0”.
- După frământare/agitare, rotiți butonul de viteză (3) înapoi în poziția „0” imediat ce amestecul a format o sferă. Apoi scoateți ștecherul.
- Împingeți butonul de ridicare (2) în jos și brațul va fi ridicat.
- Amestecul poate fi acum eliberat cu ajutorul unei spatule și scos din bolul pentru amestecare.
- Bolul pentru amestecare poate fi acum îndepărtat.
- Curățați piesele așa cum este descris la punctul „Curățare”.



Reglarea nivelurilor și utilizarea cârligului pentru aluat pentru nu mai mult de 1,5 kg de amestec

| Utilizare | Imagine | Niveluri | Timp (Min) | Maximum | Metodă de funcționare |
|----------------------------|-----------------------------------------------------------------------------------|----------|-------------|----------------------------|---------------------------------------------------------------------------------------------------------------------------------------------|
| Cârlig pentru aluat |  | 1-3 | 3-5 | 1000g făină și 538g apă | 1 viteză timp de 30 de secunde, 2 viteze timp de 30 de secunde și apoi 3 viteze timp de 2 minute până la 4 minute pentru a forma o grămadă. |
| Bătător |  | 2-4 | 3-5 | 660g făină și 840g apă | 2 viteze timp de 20 de secunde, apoi viteza 4 pentru mai mult de 2 minute și 40 de secunde. |
| Tel |  | 6 | 3-10 | 3 albușuri de ou (Minimum) | Viteza 6 pentru 3 minute sau mai mult. |

| Reșavaje problema | | |
|-------------------|----------------------------------------------------------------------------------------------------------------|----------------------------------------------------------------------------------------------------------------------------------------------------------------------------------------------------------------------------------|
| BR. | Problem | Reșenje |
| 1 | Aparatul nu funcționează | Verificați dacă ștecherul este în contact bun cu priza. Verificați dacă butonul de ridicare revine la loc. Verificați dacă mașina funcționează continuu mai mult de 6-10 minute și așteptați până când motorul se răcește. |
| 2 | Zgomot în bolul pentru amestecare în timpul funcționării (accesoriul a răzuit bolul) | Verificați dacă bolul pentru amestecare este instalat corect. Verificați dacă accesoriul este instalat corect pe aparat. |
| 3 | Capacul vasului nu se potrivește corect cu bolul pentru amestecare | Verificați dacă capacul vasului este așezat corect pe aparat. Verificați dacă bolul de amestecare este instalat corect pe aparat și blocat corect. |
| 4 | Aparatul nu funcționează la o anumită viteză | Verificați dacă marcajul de pe butonul de turație corespunde serigrafiei de turație de pe carcasă. Rotiți butonul de viteză la 0 și verificați din nou dacă aparatul funcționează. |
| 5 | Mișcări în timpul funcționării aparatului | Verificați dacă picioarele antiderapante cad. Verificați dacă aparatul este așezat pe o masă netedă și plană. |
| 6 | Butonul de ridicare nu a revenit la locul lui după instalarea bolului pentru amestecare și a capacului vasului | Verificați dacă capacul vasului este așezat corect pe aparat. Verificați dacă bolul pentru amestecare este instalat corect. |

Curățare

Înainte de curățare, scoateți cablul din priză.
Nu scufundați niciodată în apă carcasa cu motorul!
Nu utilizați detergenți tăioși sau abrazivi.

Carcasa Motorului

Pentru a curăța exteriorul carcasei trebuie folosită doar o cârpă de curățare umedă.

Bol Pentru Amestecare, Echipament Pentru Amestecare

ATENȚIE:

- Componentele nu sunt potrivite pentru a fi spălate într-o mașină de spălat vase. Dacă sunt expuse la căldură sau la produse de curățare caustice, acestea ar putea să se deformeze sau să se decoloreze.
- Componentele care au intrat în contact cu alimente pot fi curățate cu apă și săpun.
- Lăsați piesele să se usuce bine înainte de a reasambla dispozitivul.
- Vă rugăm să aplicați o cantitate mică de ulei vegetal pe ecrane după ce acestea s-au uscat.

Aruncare



Nu aruncați dispozitivul în deșeurile menajere obișnuite.

Aruncați aparatul la o firmă de eliminare a deșeurilor înregistrată sau prin intermediul serviciului zonal de eliminare a deșeurilor.

Respectați reglementările în vigoare. În caz că aveți îndoieli, consultați centrul de eliminare a deșeurilor.

Garanție

Compania Vitapur Home SRL cu sediul în București, strada Johann Strauss 2A, declară pe propria răspundere ca produsele comercializate sunt în conformitate cu normele de calitate în vigoare în Uniunea Europeană. În condițiile legii 449/2003, vânzătorul este răspunzător fata de cumpărător pentru orice lipsă a conformității existente la momentul livrării produselor. În cazul constatării lipsei conformității, consumatorul are dreptul de a solicita vânzătorului, în termen de 24 de ore de la momentul constatării, neconformității, repararea sau înlocuirea produsului. În cazul în care produsul nu este reparat în termen de 15 zile de la primirea cererii, acesta va fi înlocuit gratuit cu un produs nou în cadrul aceluiași termen. Perioada de garanție va fi prelungită din momentul primirii produsului reparat sau a produsului nou.

Garanția nu acoperă:

1. Vătămări mecanice și erori cauzate de utilizarea și întreținerea necorespunzătoare;
2. Defecțiuni cauzate de forța majoră;
3. Consumabile.

Garanția este valabilă pe teritoriul țării în care a fost efectuată achiziția și se exercită în locul în care a fost efectuată achiziția sau la importatorul autorizat pentru piața respectivă, care este menționată în declarația produsului pe ambalaj. Garanția nu împiedică drepturile consumatorului care decurg din răspunderea vânzătorului pentru defectele de bunuri. Perioada de garanție este de 24 de luni.

Nume produs: _____

Data livrării mărfurilor: _____

Date Tehnice

Model: SM-1518

Tensiune nominală: 220-240V~ 50-60Hz

Consum de energie electrică: 1400W

Clasă de protecție: II

Instrucțiuni Generale de Siguranță

Citiți cu atenție instrucțiunile de utilizare înainte de a pune în funcțiune aparatul și păstrați instrucțiunile, inclusiv garanția, chitanța și, dacă este posibil, cutia cu ambalajul intern. Dacă dați acest aparat altor persoane, vă rugăm să le înmânați și instrucțiunile de utilizare. Aparatul este conceput exclusiv pentru uz personal și pentru scopul prevăzut. Acest aparat nu este potrivit pentru uz comercial. Nu îl utilizați în exterior (cu excepția cazului în care este proiectat pentru a fi utilizat în exterior). Păstrați-l departe de sursele de căldură, de lumina directă a soarelui, de umiditate (nu-l scufundați niciodată în vreun lichid) și de marginile ascuțite. Nu utilizați aparatul cu mâinile umede. Dacă aparatul este umed sau ud, scoateți-l imediat din priză. Când îl curățați sau îl depozitați, opriți aparatul și scoateți întotdeauna ștecherul din priză (trageți de ștecher, nu de cablu) dacă aparatul nu este utilizat și scoateți accesoriile atașate.

Nu folosiți utilajul fără supraveghere. Dacă trebuie să părăsiți locul de muncă, opriți întotdeauna utilajul sau scoateți ștecherul din priză (trageți de ștecherul propriu-zis, nu de cablu). Verificați în mod regulat dacă aparatul și cablul nu sunt deteriorate. Nu utilizați aparatul dacă este deteriorat. Nu încercați să reparați aparatul pe cont propriu. Contactați întotdeauna un tehnician autorizat. Pentru a evita expunerea la pericol, asigurați-vă întotdeauna că un cablu defect este înlocuit numai de către producător, de către serviciul nostru de asistență pentru clienți sau de către o persoană calificată și cu un cablu de același tip. Utilizați doar piese de schimb originale.

Acordați o atenție deosebită următoarelor, Instrucțiuni Speciale de Siguranță.

Copii și Persoane Fragile

Pentru a asigura siguranța copiilor dvs., vă rugăm să păstrați toate ambalajele (pungi de plastic, cutii, polistiren etc.) departe de ei.

Atenție! Nu permiteți copiilor mici să se joace cu folia deoarece există **pericol de sufocare!**

Acest aparat nu trebuie utilizat de către copii. Păstrați aparatul și cablul acestuia în afara sferei de activitate a copiilor. Acest dispozitiv nu este o jucărie. Copiii nu trebuie să se joace cu aparatul.

Aparatele pot fi utilizate de persoane cu capacități fizice, senzoriale sau mentale reduse sau cu lipsă de experiență și cunoștințe, dacă acestea au fost supravegheate sau instruite cu privire la utilizarea aparatului în condiții de siguranță și dacă acestea înțeleg pericolele implicate.

Instrucțiuni Speciale de Siguranță Pentru Acest Aparat

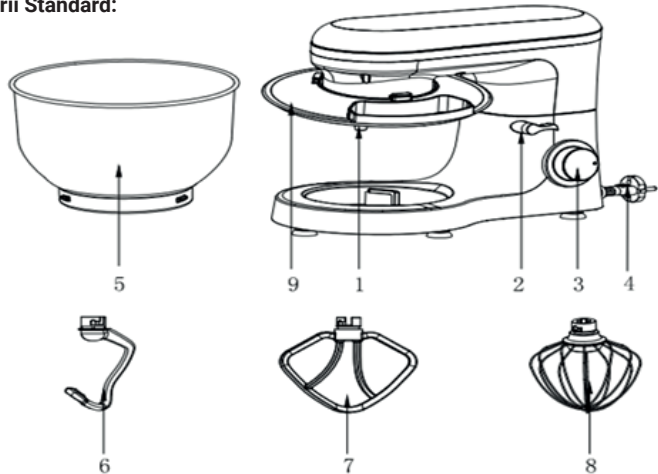
Deconectați întotdeauna aparatul de la alimentare dacă este lăsat nesupravegheat și înainte de a-l asambla, dezasambla sau curăța. Opriți aparatul și deconectați-l de la alimentare înainte de a schimba accesoriile sau de a vă apropia de piesele care se mișcă în timpul utilizării. Nu utilizați aparatul în alt scop decât cel prevăzut.

Atenție: Pentru a evita un pericol datorat resetării involuntare a întrerupătorului termic, acest aparat nu trebuie alimentat prin intermediul unui dispozitiv de comutare extern, cum ar fi un temporizator, sau conectat la un circuit care este periodic pornit și oprit de către serviciul public. Utilizați acest aparat numai sub supraveghere. Nu interveniți asupra niciunui întrerupător de siguranță. Nu introduceți nimic în cârțile rotative în timp ce aparatul este în funcțiune. Așezați aparatul pe o suprafață de lucru netedă, plană și stabilă. Nu introduceți ștecherul aparatului în priză fără să fi instalat toate accesoriile necesare. accesorii.

Prezentare Generală a Componentelor

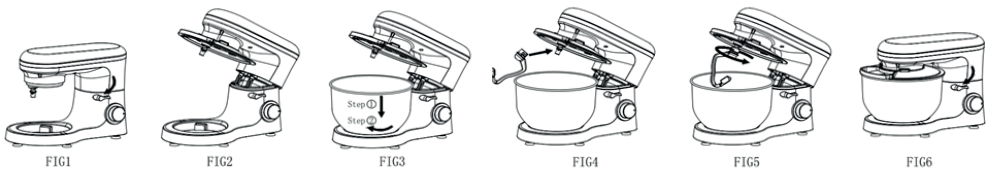
Componente Principale și Accesorii Standard:

- 1 Arbore de ieșire
- 2 Buton de ridicare
- 3 Buton de viteză
- 4 Cablu de alimentare
- 5 Arc pentru amestecare
- 6 Cârlig pentru aluat
- 7 Bătător
- 8 Mixer
- 9 Capacul vasului






Folosirea Bolului Pentru Amestecare

- Pentru a ridica brațul, rotiți în sensul acelor de ceasornic butonul Rise (2). Brațul se va deplasa acum în sus. (FIG1)
- Așezați capacul vasului în interiorul său. (FIG2)
- Așezați bolul pentru amestecare în dispozitivul de fixare (Pasul 1) și rotiți bolul în sensul acelor de ceasornic până când se blochează în poziție (Pasul 2). (FIG3)
- Montați ustensila necesară (Cârligul pentru Aluat, Bătătorul sau Mixerul) prin introducerea vârfului în arborele de ieșire și rotiți-o în sens invers acelor de ceasornic până când se blochează în poziție. (FIG4&FIG5)
- Acum adăugați ingredientele.
- Nu umpleți prea mult aparatul - cantitatea maximă de ingrediente este de 1,5 kg.
- Coborâți brațul cu ajutorul butonului de ridicare (2). (FIG6)
- Introduceți ștecherul într-o priză de siguranță de 220-240V 50/60 Hz instalată corespunzător.
- Comutați aparatul cu ajutorul butonului de viteză la o viteză între 1 și 6 (corespunzătoare amestecului).
- Pentru o funcționare cu impulsuri (frământare la intervale scurte), rotiți comutatorul în poziția PULSE. Comutatorul trebuie menținut în această poziție în funcție de durata intervalului dorit. Când comutatorul este eliberat, acesta revine automat în poziția „0”.
- După frământare/agitare, rotiți butonul de viteză (3) înapoi în poziția „0” imediat ce amestecul a format o sferă. Apoi scoateți ștecherul.
- Împingeți butonul de ridicare (2) în jos și brațul va fi ridicat.
- Amestecul poate fi acum eliberat cu ajutorul unei spatule și scos din bolul pentru amestecare.
- Bolul pentru amestecare poate fi acum îndepărtat.
- Curățați piesele așa cum este descris la punctul „Curățare”.



Reglarea nivelurilor și utilizarea cârligului pentru aluat pentru nu mai mult de 1,5 kg de amestec.

| Utilizare | Imagine | Niveluri | Timp (Min) | Maximum | Metodă de funcționare |
|----------------------------|-----------------------------------------------------------------------------------|----------|-------------|----------------------------|---------------------------------------------------------------------------------------------------------------------------------------------|
| Cârlig pentru aluat |  | 1-3 | 3-5 | 1000g făină și 538g apă | 1 viteză timp de 30 de secunde, 2 viteze timp de 30 de secunde și apoi 3 viteze timp de 2 minute până la 4 minute pentru a forma o grămadă. |
| Bătător |  | 2-4 | 3-5 | 660g făină și 840g apă | 2 viteze timp de 20 de secunde, apoi viteza 4 pentru mai mult de 2-minute și 40 de secunde. |
| Tel |  | 6 | 3-10 | 3 albușuri de ou (Minimum) | Viteza 6 pentru 3 minute sau mai mult. |

| Troubleshooting | | |
|------------------------|----------------------------------------------------------------------------------------------------------------|----------------------------------------------------------------------------------------------------------------------------------------------------------------------------------------------------------------------------------|
| NR. | Probleme | Soluție |
| 1 | Aparatul nu funcționează | Verificați dacă ștecherul este în contact bun cu priza. Verificați dacă butonul de ridicare revine la loc. Verificați dacă mașina funcționează continuu mai mult de 6-10 minute și așteptați până când motorul se răcește. |
| 2 | Zgomot în bolul pentru amestecare în timpul funcționării (accesoriul a răzuit bolul) | Verificați dacă bolul pentru amestecare este instalat corect. Verificați dacă accesoriul este instalat corect pe aparat. |
| 3 | Capacul vasului nu se potrivește corect cu bolul pentru amestecare | Verificați dacă capacul vasului este așezat corect pe aparat. Verificați dacă bolul de amestecare este instalat corect pe aparat și blocat corect. |
| 4 | Aparatul nu funcționează la o anumită viteză | Verificați dacă marcajul de pe butonul de turație corespunde serigrafiei de turație de pe carcasă. Rotiți butonul de viteză la 0 și verificați din nou dacă aparatul funcționează. |
| 5 | Mișcări în timpul funcționării aparatului | Verificați dacă picioarele antiderapante cad. Verificați dacă aparatul este așezat pe o masă netedă și plană. |
| 6 | Butonul de ridicare nu a revenit la locul lui după instalarea bolului pentru amestecare și a capacului vasului | Verificați dacă capacul vasului este așezat corect pe aparat. Verificați dacă bolul pentru amestecare este instalat corect. |

Curățare

Înainte de curățare, scoateți cablul din priză.
Nu scufundați niciodată în apă carcasa cu motorul!
Nu utilizați detergenți tăioși sau abrazivi.

Carcasa Motorului

Pentru a curăța exteriorul carcasei trebuie folosită doar o cârpă de curățare umedă.

Bol Pentru Amestecare, Echipament Pentru Amestecare

ATENȚIE:

- Componentele nu sunt potrivite pentru a fi spălate într-o mașină de spălat vase. Dacă sunt expuse la căldură sau la produse de curățare caustice, acestea ar putea să se deformeze sau să se decoloreze.
- Componentele care au intrat în contact cu alimente pot fi curățate cu apă și săpun.
- Lăsați piesele să se usuce bine înainte de a reasambla dispozitivul.
- Vă rugăm să aplicați o cantitate mică de ulei vegetal pe ecrane după ce acestea s-au uscat.

Aruncare



Nu aruncați dispozitivul în deșeurile menajere obișnuite.

Aruncați aparatul la o firmă de eliminare a deșeurilor înregistrată sau prin intermediul serviciului zonal de eliminare a deșeurilor.

Respectați reglementările în vigoare. În caz că aveți îndoieli, consultați centrul de eliminare a deșeurilor.

Fletë Garancie

Ofruesi i garancisë dhe tekniku i autorizuar i shërbimit Vitapur d.o.o., Sv Petra Cetinjskog 130, 81000 Podgorica, Mali i Zi, merr përsipër që produkti do të funksionojë në mënyrë të përsosur gjatë periudhës së garancisë. Gjatë periudhës së garancisë, e cila fillon me dorëzimin e produktit, ne do të eliminojmë të gjitha defektet në produkt që mund të ndodhin gjatë përdorimit të këtij të fundit, me kusht që produkti të përdoret në përputhje me qëllimin e tij dhe që të mos përdoret nga persona të pa autorizuar nga garantuesi ose për përdorime përtej funksionit që produkti ka. Nëse produkti nuk është riparuar brenda 15 ditëve nga marrja e kërkesës për riparim, do të zëvendësohet me një produkt të ri, identik dhe të pa dëmtuar, falas. Periudha e garancisë do të zgjatet për aq ditë sa do të kërkojë riparimi i plotë i produktit.

Garancia nuk përfshin:

1. dëmtimin mekanik për shkak të përdorimit jo të saktë dhe mirëmbajtjes të gabuar të produktit;
2. dëmtim të shkaktuar nga forca madhore;
3. konsumim i materialit përbërës të produktit.

Garancia është e vlefshme në territorin e vendit në të cilin është bërë blerja, dhe zbatohet në vendin e blerjes ose tek importuesi i autorizuar për këtë treg, i cili evidentohet në deklaratën e produktit në paketim. Garancia nuk përjashton të drejtat e konsumatorëve që vijnë nga përgjegjësia ligjore e shitësit për dëmtimin e produkteve. Periudha e garancisë është 24 muaj. Importuesi për secilin treg është përgjegjës për shërbimin.

Emri i produktit: _____

Data e dorëzimit / blerjes së produktit: _____

Технически данни

Модел: SM-1518

Номинално напрежение: 220-240V~ 50-60Hz

Консумация на енергия: 1400W

Клас на защита: II

Общи инструкции за безопасност

Прочетете инструкциите за безопасност внимателно преди да пуснете уреда в експлоатация и пазете инструкциите, включително гаранционната карта, касовата бележка, ако е възможно, кутията с вътрешната опаковка. Ако давате това устройство на други хора, предайте също и инструкциите за експлоатация. Уредът е моделиран изключително за лична употреба и за предвидената цел. Този уред не е подходящ за търговска употреба. Не го използвайте навън (освен ако не е предвиден да се използва навън). Дръжте го далеч от топлинни източници, пряка слънчева светлина, влажност (никога не го потапяйте в течности) и остри ръбове. Не използвайте уреда с влажни ръце. Ако уредът е влажен или мокър, веднага го изключете. Когато го почиствате или го поставяте настрана, изключете уреда и винаги го издърпвайте от контакта (издърпвайте от контакта, а не дърпайте кабела), ако уредът не се използва и премахнете прикрупените аксесоари. Не експлоатирайте уреда без надзор. Ако трябва да напуснете работното място, винаги изключвайте машината или извадете кабела от контакта (дръпнете самия щепсел, а не кабела). Редовно проверявайте уреда и кабела за повреда. Не използвайте уреда, ако е повреден. Не се опитвайте сами да ремонтирате уреда. Винаги се свързвайте с оторизиран техник. За да избегнете излагането на опасност, повреденият кабел трябва да бъде заменен от производителя, от нашето клиентско обслужване или квалифицирано лице със същия вид кабел. Да се използват само оригинални резервни части. Обърнете специално внимание на следното "Специални инструкции за безопасност".

Деца и крехки индивиди

За да гарантирате безопасността на вашите, молим да съхранявате всички опаковки (пластмасови торби, кутии, полистирен) извън техния обсег.

Внимание! Не позволявайте на малките деца да си играят с фолиото, тъй като има опасност от удушаване!

Този уред не трябва да се използва от деца. Пазете уреда и неговия кабел извън обсега на деца.

Този уред не е играчка. Децата не трябва да си играят с уреда.

Уредът може да се използва от лица с намалени физически, сензорни или ментални способности, или липса на опит и знание, ако има кой да ги надзирава или да им даде инструкции по отношение на употребата на уреда по безопасен начин или ако те осъзнават включените опасности.

Специални инструкции за безопасност за тази машина

Винаги изключвайте уреда от захранването и ако трябва да се остави без надзор, както и преди сглобяване, разглобяване или почистване.

Изключвайте уреда или премахнете захранването, преди смяна на аксесоари или при доближаването до части, които се движат при експлоатация.

Не използвайте уреда за други освен обозначените цели.

Внимание: за да се избегне опасност в случай на неравномерното стартиране на външния топлинен прекъсвач, този уред не трябва да се захранва от външно превключващо устройство, като таймер или верига, която редовно се включва или изключва.

Експлоатирайте тази машина само под наблюдение.

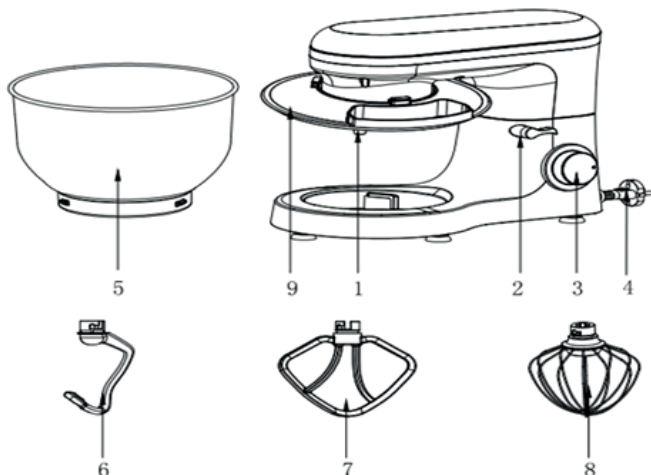
Не трябва да има намеса с предпазни превключватели.

Не кварвайте нищо под въртящите се бъркалки, докато машината работи.

Машината да се позиционира върху гладки, плоски и стабилни работни повърхности.

Не пхайте щепселите на машината в електрическия контакт без да сте инсталирали необходимите аксесоари.

- 1 Изходящ вал
- 2 Бутон за наклон
- 3 Бутон за скорост
- 4 Захранващ кабел
- 5 Купа за смесване
- 6 Приставка за месене
- 7 Разбивач
- 8 Бъркалка
- 9 Капак на купата



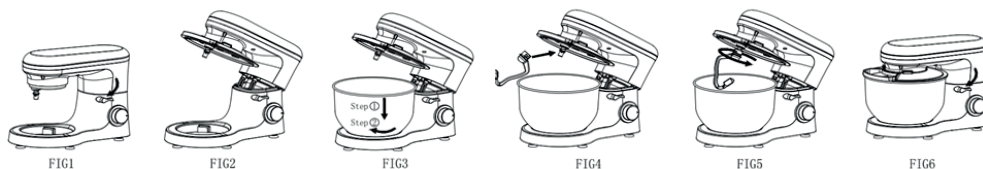
Преглед на компонентите

Употреба на купата за смесване

- За да се повдигне рамото, се завърта по посока на часовниковата стрелка бутона за наклон (2). Рамото така ще се придвижи напред. (ФИГ1)
- Поставяне на капака на купата в тялото. (ФИГ2)
- Поставяне на купата за смесване в приспособлението за захващане (Стъпка1) и купата се завърта по посока на часовниковата страна докато се заключи на мястото си (Стъпка 2). (ФИГ3)
- Необходимата приставка се монтира (приспособлението за месене, или разбивача, или бъркалка), като се постави горната част в изходния вал и се завърти в посока, обратна на часовниковата стрелка, докато се заключи на мястото си. (ФИГ 4 и ФИГ 5)
- Сега напълнете купата с вашите съставки.

Машината да не се препълва – максималното количество на съставките е 1.5кг.

- Пуснете рамото надолу като използвате бутона за наклон (2). (ФИГ6)
- Пъхнете щепсела в правилно монтиран 220-240V 50/60 Hz контакт.
- Включете машината, като използвате копчето за скорост на скорост между 1 и 6 (в съответствие със сместа).
- При импулсна работа (месене на кратки интервали), включете превключвателя на позицията "PULSE". Превключвателят трябва да се държи на тази позиция според желаната дължина на интервала. Когато превключвателят се пусне, той автоматично се връща на "0" позиция.
- След месенето/разбъркването, включете бутона за скоростта (3) обратно на позиция "0", веднага щом сместа образува топка. След това премахнете щепсела.
- Натиснете бутона за наклон (2) надолу и рамото ще се повдигне нагоре.
- Сместа може да бъде събрана с помощта на шпатула и да се извади от купата за смесване.
- Купата за смесване може да се премахне.
- Почистете отделните части, както е описано в "Почистване".



Настройване на нивата и използване на приставката за месене за не повече от 1.5кг смес

| Употреба | Изображение | Нива | Време (Мин) | Максимум | Метод на експлоатация |
|---------------------|-----------------------------------------------------------------------------------|------|-------------|------------------------------|-------------------------------------------------------------------------------------------------------------------|
| Приставка за месене |  | 1-3 | 3-5 | 1000 гр брашно и 538 гр вода | На 1-ва скорост за 30 с, на 2-ра скорост за 30 с, а след това на 3-та скорост за 2 – 4 мин за да се образува куп. |
| Разбивач |  | 2-4 | 3-5 | 660 гр брашно и 840 гр вода | На 2-ра скорост за 20 с, на 4-та скорост за повече от 2 мин 40 с |
| Бъркалка |  | 6 | 3-10 | 3 белтъка (Минимум) | Включете на 6-та скорост за 3 мин. |

Отстраняване на неизправности

| № | Неизправност | Решение |
|---|-----------------------------------------------------------------------------------------|----------------------------------------------------------------------------------------------------------------------------------------------------------------------------------------------------------------------------------|
| 1 | Машината не работи | ·Проверете, дали щепселът е влязъл добре в контакта. ·Проверете, дали бутонът за наклон се връща на мястото си. ·Проверете, дали машината работи постоянно повече от 6-10 минути и изчакайте, докато двигателят се охлади. |
| 2 | Шум в купата за месене, когато работи (аксесоар е остъргал купата) | ·Проверете, дали купата за смесване е правилно инсталирана. ·Проверете, дали аксесоарите са правилно инсталирани в машината. |
| 3 | Капакът не приляга правилно на купата за смесване | ·Проверете, дали капакът е поставен правилно върху машината. ·Проверете, дали купата за смесване е инсталирана надлежно на машината и др заключва правилно. |
| 4 | Машината не работи на определена скорост | ·Проверете, дали маркировката на скоростната стрелка съответства на маркировката на скорост на корпуса. ·Завъртете скоростната стрелка на 0 и проверете повторно, дали машината работи. |
| 5 | Движения, когато машината работи | ·Проверете, дали противоплъзгащото краче не се е отлепило. ·Проверете, дали машината е поставена върху гладък и плосък плот. |
| 6 | Бутонът за наклон не се връща обратно след инсталирането на купата за смесване и капака | ·Проверете, дали капакът е поставен правилно на машината. ·Проверете, дали купата за смесване е правилно инсталирана. |

Почистване

Преди почистване премахнете щепсела от контакта.

Никога не потапяйте корпуса с двигателя във вода!

Не използвайте остри или абразивни препарати.

Корпус на двигателя

За почистване на външната страна на корпуса трябва да се използва влажна, добре изцедена кърпа.

Купа за смесване, съоръжение за смесване

ВНИМАНИЕ:

- Компонентите не са подходящи за почистване в съдомиялна. Ако влязат в досег с топлина или разяждащи препарати, те може да се деформират или обезцветят.
- Компоненти, които са били в контакт с вода може да бъдат почистени с вода и сапун.
- Частите трябва да са напълно подсушени преди да се сглоби устройството.
- Молим да нанесете малко количество растително олио по приставките след като са изсъхнали.

Изхвърляне



Не изхвърляйте устройството в обикновен контейнер за смет.

Изхвърлете устройството чрез регистрирана фирма за отпадъци или чрез общинската фирма за битови отпадъци.

Спазвайте действащите по настоящем разпоредби. Ако се съмнявате, консултирайте се с общинската фирма за битови отпадъци.

Гаранция

Доставчикът на гаранция и оторизираните доставчици на услуга като AD Vita d.o.o., Tovarniška 7b, 3210 Slovenske Konjice, Slovenia (Словения), поемат отговорността, че този продукт ще работи безупречно по време на гаранционния период. По време на гаранционния период, който започва от доставката на продукта, ще поправяме всички несъвършенства и дефекти по продукта, които биха се появили в резултат на нормалната употреба на продукта. Гаранцията се анулира, когато продуктът е бил манипулиран от лице, което не е упълномощено от еминента на гаранционната карта или ако са били използвани неоригинални части по време на поправката. Ако продуктът не бъде ремонтиран в рамките на 45 дни от получаването на заявката за услуга, доставчикът на гаранцията ще я замени безплатно с нов идентичен безупречен продукт. Гаранционният период ще бъде удължен с броя на дните, които е отнела поправката.

Гаранцията не покрива:

1. Механични повреди или дефекти заради неправилната употреба и/или поддръжката на продукта.
2. Щети, причинени от форсмажорни обстоятелства.
3. Консумативи.

Гаранцията е валидна в страни, в които покупката е била направена и се изпълнява на мястото, където покупката е била направена или оторизиран прекупвач за този пазар, който е посочен в продуктовата декларация на опаковката. Гаранцията не изключва правата на потребителя, произтичащи от отговорността на продавача за дефекти в доставените артикули. Гаранционният период продължава 24 месеца. Вносителят за индивидуалните пазари е отговорен за ремонта на продукта.

Продукт: _____

Дата на доставка на артикулите: _____

Tehnilised andmed

Model: SM-1518

Pinge: 220-240V~ 50-60Hz

Voolutarve: 1400W

Kaitseklass: II

Üldised ohutusjuhised

Enne seadme kasutuselevõttu lugege hoolikalt läbi kasutusjuhend ja hoidke see alles, sealhulgas garantii, kvitтинг ja võimalusel sisepakendiga karp. Kui annate selle seadme teistele inimestele, edastage palun ka kasutusjuhendid.

Seade on mõeldud eranditult isiklikuks kasutamiseks ja ettenähtud otstarbeks. See seade ei sobi kaubanduslikuks kasutamiseks. Ärge kasutage seda õues (välja arvatud juhul, kui see on mõeldud kasutamiseks välitingimustes). Hoidke se eemal soojusallikatest, otsesest päikesevalgusest, niiskusest (ärge kunagi kastke seda vedelikku) ja teravatest servadest. Ärge kasutage seadet märgade kätega. Kui seade on niiske või märg, eemaldage see kohe vooluvõrgust.

Seadme puhastamisel või ärapanemisel lülitage seade välja ja tõmmake alati pistik pistikupesast välja (tõmmake pistikust, mitte juhtmest), kui seadet ei kasutata, ja eemaldage lisatud tarvikud.

Ärge kasutage masinat ilma järelevalveta. Kui peaksite töökohalt lahkuma, lülitage masin alati välja või eemaldage pistik pistikupesast (tõmmake pistikust, mitte juhtmest).

Kontrollige regulaarselt seadet ja kaablit kahjustuste suhtes. Ärge kasutage seadet, kui see on kahjustatud.

Ärge proovige seadet ise parandada. Võtke alati ühendust volitatud tehnikuga. Ohu vältimiseks laske vigane kaabel alati välja vahetada ainult tootjal, meie klienditeenindusel või kvalifitseeritud isikul ja sama tüüpi kaabliga.

Kasutage ainult originaalvaruosi.

Pöörake hoolikalt tähelepanu järgmistele erijuhistele.

Lapsed ja nõrgad inimesed

Oma laste ohutuse tagamiseks hoidke kõik pakendid (kilekotid, karbid, polüstüreen jne) neile kättesaamatus kohas. Ettevaatust! Ärge lubage väikelastel fooliumiga mängida, kuna tekib lämbumisoht!

Seda seadet ei tohi kasutada lapsed. Hoidke seade ja selle juhe lastele kättesaamatus kohas.

See seade ei ole mänguasi. Lapsed ei tohi seadmega mängida.

Seadmeid võivad kasutada vähenenud füüsiliste, sensoorsete või vaimsete võimetega või kogemuste puudumisega inimesed, kui neid on juhendatud seadme ohutu kasutamise kohta ja kui nad mõistavad kaasnevaid ohte

Selle masina spetsiaalsed ohutusjuhised

Ühendage seade alati vooluvõrgust lahti, kui see jäetakse järelevalveta ning enne kokku- või lahtivõtmist või puhastamist.

Enne tarvikute vahetamist või sellele osade lähenemist lülitage seade välja ja eemaldage see vooluvõrgust kasutuses lülitit.

Ärge kasutage seadet muul kui ettenähtud otstarbel.

Ettevaatust: termokaitselülitit tahtmatust lähtestamisest tulenevate ohtude vältimiseks see seade ei tohi toita välise lülitusseadme (nt taimeri) kaudu ega ühendada regulaarselt töötava vooluringiga sisse ja välja.

Kasutage seda masinat ainult järelevalve all.

Ärge segage ühtegi ohutuslülitit.

Ärge sisestage masina töötamise ajal midagi pöörlevatesse konksudesse.

Asetage masin siledale, tasasele ja stabiilsele tööpinnale.

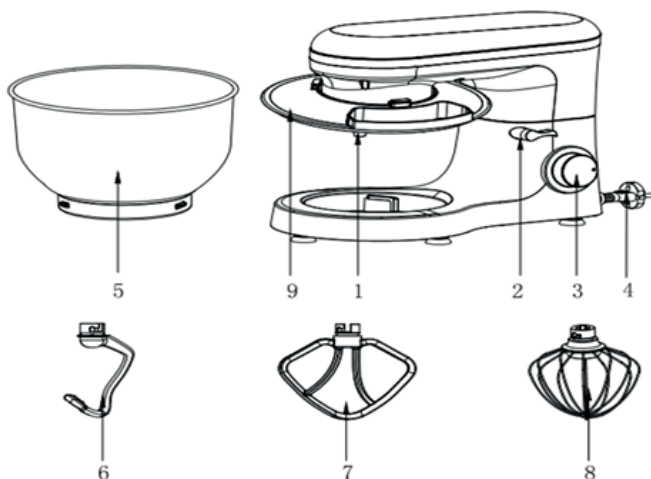
Ärge ühendage masina pistikut pistikupesassa enne, kui olete paigaldanud kõik vajalikud tarvikud.

Komponentide ülevaade

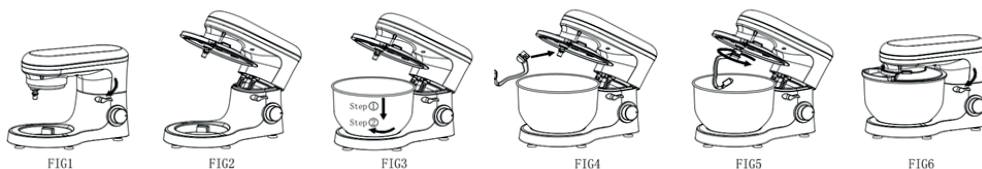
Segamiskausi kasutamine

- Käe tõstmiseks keerake tõusunupu (2) päripäeva. Käsi liigub nüüd ülispoole. (JONIS 1)
- Asetage poti kate selle korpusesse. (JONIS 2)
- Asetage segamiskauss oma hoidikusse (samm 1) ja keerake kaussi päripäeva, kuni see paigale lukustub (samm 2). (JONIS 3)
- Paigaldage vajalik tööriist (taignakonks või klopits või vispel), sisestades ülaosa väljundvõlli, ja keerake vastupäeva, kuni see paigale lukustub. (JONIS 4 ja JONIS 5)
- Nüüd täitke oma koostisained. Ärge täitke masinat üle – maksimaalne koostisosade kogus on 1,5 kg.
- Langetage käsi tõusunupu (2) abil. (JONIS 6)
- Sisestage toitejuhe korralikult paigaldatud 220-240V 50/60 Hz ohutusse pistikupessa.




- 1 Väljundvõll
- 2 Tõstmise nupp
- 3 Kiiruse nupp
- 4 Toitejuhe
- 5 Segamishõõ
- 6 Taignakonks
- 7 Klopits
- 8 Vispel
- 9 Poti kate



- Lülitage masin kiiruse nupu abil kiirusele vahemikus 1 kuni 6 (vastavalt segule).
- Impulssrežiimi kasutamiseks (lühiajaliste intervallidega sõtkumine) keerake lüliti asendisse "IMPULSS". Lüliti tuleb selles asendis hoida vastavalt soovitud intervalli pikkusele. Lüliti vabastamisel naaseb see automaatselt asendisse "0".
- Pärast sõtkumist/segamist keerake kiirusnupp (3) tagasi asendisse "0" niipea, kui segu on moodustanud palli. Seejärel eemaldage toitejuhe.
- Lükake tõusunupp (2) alla ja käsi tõuseb.
- Nüüd saab segu spaatli abil vabastada ja segamishõõst välja võtta.
- Nüüd saab segamishõõ eemaldada.
- Puhastage osi, nagu on kirjeldatud jaotises "Puhastamine".



Taseme reguleerimine ja taignakonksu kasutamine kuni 1,5 kg segu jaoks

| Kasutusel | Pilt | Levelid | Aeg (Min) | Maksimum | Toimimisviis |
|--------------------|-----------------------------------------------------------------------------------|---------|-------------|----------------------------|------------------------------------------------------------------------------------------------------------------|
| Taignakonks |  | 1-3 | 3-5 | 1000g jahu ja 538g vett | 1 kiirusega 30 sekundit, 2 kiirustega 30 sekundit ja seejärel 3 kiirusega 2 kuni 4 minutit, et moodustada kobar. |
| Klopits |  | 2-4 | 3-5 | 660g jahu ja 840g vett | 2 kiirusega 20 sekundit, 4 kiirusega rohkem kui 2 min 40 sekundit |
| Vispel |  | 6 | 3-10 | 3 munavalget (Miinimum) | Avage 6 kiirus, et kasutada 3 minutitl. |

| Veatsing | | |
|----------|--------------------------------------------------------------------------------------|----------------------------------------------------------------------------------------------------------------------------------------------------------------------------------------------------------------------|
| NR. | Probleemid | Lahendus |
| 1 | Masin ei tööta | ·Kontrollige, kas pistik on pistikupesaga hästi kontaktis. ·Kontrollige, kas tõusunupp vetrub oma kohale tagasi. ·Kontrollige, kas masin töötab pidevalt kauem kui 6-10 minutit ja oodake, kuni mootor jahtub. |
| 2 | Müra segamishõõs töötamise ajal (tarvik kraapis kaussi) | ·Kontrollige, kas segamishõõs on korralikult paigaldatud. ·Kontrollige, kas tarvik on masinale õigesti paigaldatud. |
| 3 | Poti kate ei sobi korralikult segamishõõsusse | ·Kontrollige, kas poti kate on masinale korralikult asetatud. ·Kontrollige, kas segamiskauss on masinale korralikult paigaldatud ja korralikult lukustatud. |
| 4 | Masin ei tööta teatud kiirusel | ·Kontrollige, kas kiirusnupul olev märk vastab korpusel olevale kiiruse kiirusmärgistele. ·Pöörake kiiruse nupp asendisse 0 ja kontrollige uuesti, kas masin töötab. |
| 5 | Liigutused masina töötamise ajal | ·Kontrollige, kas libisemisvastased jalad kukuvad maha. ·Kontrollige, kas masin on asetatud siledale ja tasasele lauaplaadile. |
| 6 | Tõusunupp ei hüppanud pärast segamishõõs ja potikaane paigaldamist oma kohale tagasi | Kontrollige, kas poti kate on masinale korralikult asetatud. ·Kontrollige, kas segamishõõs on korralikult paigaldatud. |

Puhastamine

Enne puhastamist eemaldage toitejuhe pistikupesast.

Ärge kunagi kastke korpust koos mootoriga vette!

Ärge kasutage teravaid ega abrasiivseid puhastusvahendeid.

Mootori korpus

Korpuse väliskülje puhastamiseks tohib kasutada ainult niisket loputuslappi

Segamiskauss, segamisseadmed

TÄHELEPANU:

- Komponentid ei sobi nõudepesumasinas puhastamiseks. Kuumuse või söövitavate puhastusvahenditega kokkupuutel võivad need muuta kuju või värvi
- Toiduga kokku puutunud komponente võib puhastada seebivees
- Enne seadme uuesti kokkupanemist laske osadel korralikult kuivada
- Kandke tarvikutele pärast nende kuivamist väike kogus taimeõli.

Kõrvaldamine



Ärge visake seadet tavaliste olmejäätmete hulka .

Kõrvaldage seade registreeritud jäätmekäitlusettevõttes või oma ühiskasutatava jäätmekäitlusettevõtte kaudu.

Järgige hetkel kehtivaid eeskirju. Kahtluse korral pöörduge oma jäätmekäitlusettevõtte poole.

Garantii

Garantii pakkuja ja volitatud teenusepakkuja on AD Vita d.o.o., Tovarniška 7b, 3210 Slovenske Konjice, Sloveenia,

võtab endale vastutuse selle eest, et toode töötab garantiiaja jooksul laitmatult. Garantii ajal, mis algab toote kohaletoimetamisest, parandame kõik tootel esinevad puudused ja defektid toote tavapärase kasutamise tulemusena. Garantii kaotab kehtivuse, kui toodet rikub garantiikaardi väljastaja poolt mittevõlgitatud isik või kui remondiks kasutati mitteoriginaalseid osi.

Kui toodet ei parandata 45 päeva jooksul pärast hooldustaotluse saamist, asendab garantiipakkuja selle uue, identse ja veatu tootega tasuta.

Garantiaeg pikeneb remonditööpäevade arvu võrra.

Garantii ei hõlma:

1. mehaanilised kahjustused ja defektid, mis on tingitud toote ebaõigest kasutamisest ja/või hooldusest.
2. vääramatu jõu tõttu tekkinud kahju.
3. tarbekaubad.

Garantii kehtib riigis, kus ost tehti ja see jõustub ostu sooritamise kohas valmistatud või selle turu jaoks volitatud edasimüüjalt, mis on märgitud pakendil olevas tootedeklaratsioonis. Garantii ei välista tarbija õigusi, mis tulenevad müüja vastutusest tarnitud kaubal esinevate puuduste eest. Garantiaeg kestab 24 kuud. Toote parandamise eest vastutab üksikute turgude maaletooja.

Toode: _____

Kauba kohaletoimetamise kuupäev: _____

Technické údaje

Model: SM-1518

Jmenovité napětí :220-240V~ 50-60Hz

Spotřeba energie: 1400W

Třída ochrany: II

Všeobecné bezpečnostní pokyny

Před uvedením zařízení do provozu si pozorně přečtěte pokyny k provozu a uschovejte je, včetně záručního listu, stvrzenky a, je-li to možné, krabice s vnitřním obalovým materiálem. Pokud toto zařízení věnujete jiným lidem, postupte jim, prosím, také pokyny k provozu. Toto zařízení je navrženo výlučně na použití na soukromé účely a stanovený účel. Toto zařízení není určeno na komerční použití. Nepoužívejte ho ve venkovním prostoru (není-li navrženo na použití ve venkovním prostoru). Držte ho mimo zdrojů tepla, přímého slunečního světla, vlhkosti (nikdy ho neponořujte do žádné tekutiny) a ostrých hran. Zařízení neobsluhujte mokřkými rukami. Je-li zařízení vlhké nebo mokré, okamžitě ho odpojte ze sítě. Při čištění nebo odkládání zařízení vypněte a pokud se zařízení nepoužívá, vždy vypojte zástrčku ze zásuvky (tahejte za zástrčku, ne za kabel) a odpojte připojené příslušenství. Přístroj nenechávejte v provozu bez dohledu. Chystáte-li se opustit pracovní prostor, vždy přístroj vypněte nebo vypojte zástrčku ze zásuvky (tahejte za zástrčku, ne za kabel). Zařízení a kabel pravidelně kontrolujte na poškození. Zařízení nepoužívejte, je-li poškozeno. Nesnažte se zařízení opravit svépomocně. Vždy kontaktujte autorizovaného technika. Abyste se vyhnuli riziku nebezpečí, vždy svěřte výměnu chybného kabelu za kabel stejného typu pouze výrobci, našemu zákaznickému servisu nebo kvalifikované osobě. Používejte jen originální náhradní díly. Věnujte pozornost následujícím „speciálním bezpečnostním pokynům“.

Děti a zranitelné osoby

Abyste zajistili bezpečnost svých dětí, uchovávejte všechny obalový materiál (plastové tašky, krabice, polystyrén atd.) mimo jejich dosahu. Pozor! Nedovolte malým dětem hrát se s fólií, jelikož riskujete zadušení! Toto zařízení není určeno na použití dětmi. Zařízení a jeho kabeláž uchovávejte mimo dosahu dětí. Toto zařízení není hračka. Děti se se zařízením nesmí hrát. Zařízení smí používat osoby se sníženými fyzickými, smyslovými nebo mentálními schopnostmi nebo nedostatkem zkušeností a vědomostí, pokud jsou pod dohledem nebo byli poučeny o tom, jak zařízení používat bezpečným způsobem a porozuměli hrozcím nebezpečím.

Speciální bezpečnostní pokyny k tomuto přístroji

Zařízení vždy vypojte ze zdroje, pokud je ponecháno bez dohledu a před montáží, demontáží nebo čištěním. Zařízení vypněte a vypojte ze zdroje před výměnou příslušenství nebo přistoupením k dílům, které se během provozu pohybují.

Zařízení nepoužívejte na jiný než stanovený účel.

Pozor: Abyste se vyhnuli nebezpečí v důsledku náhodného resetu tepelné elektrické pojistky, nesmí být toto zařízení napájeno skrz externí prepínací zařízení, jako je časovač, nebo připojeno k obvodu, který je pravidelně zapínán a vypínán.

Tento přístroj provozujte pouze pod dohledem.

Nemanipulujte se žádnými bezpečnostními spínači.

Nic nevkládejte do otáčejících se háků, když je přístroj v provozu.

Umístěte přístroj na hladký, plochý a stabilní pracovní povrch.

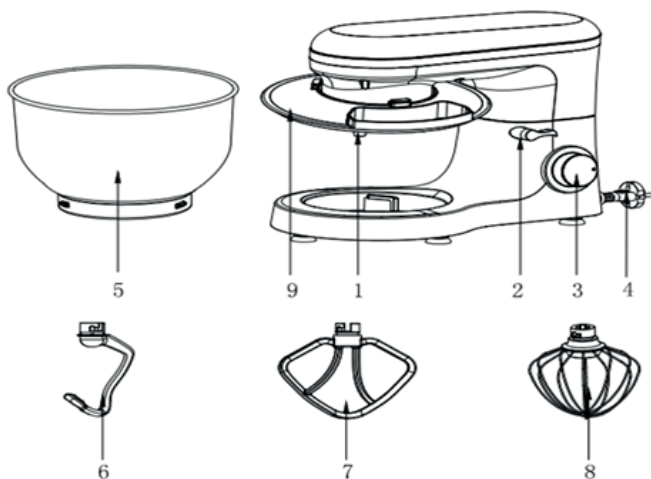
Nezasouvejte síťový kabel přístroje do zásuvky předtím, než namontujete všechno potřebné příslušenství.

Přehled dílů

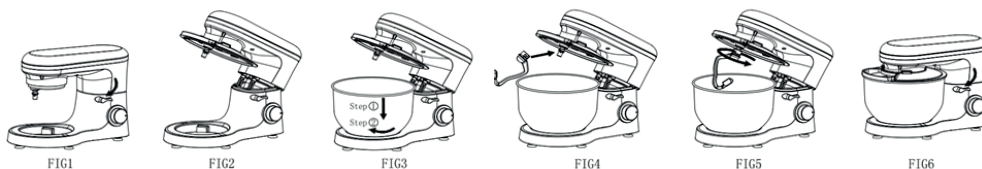
Použití míchací mísy

- Pro zdvižení ramena otočte knoflík zdvižení v směru hodinových ručiček (2). Rameno se teď pohne nahoru. (OBR1)
- Umístěte pokrývku mísy do jejího těla. (OBR2)
- Umístěte míchací mísu do jejího stojanu (Krok1) a otáčejte ji ve směru hodinových ručiček, dokud se neuzamkne na svém místě (Krok 2). (OBR3)
- Namontujte požadované pomůcky (háček na těsto, hnětač nebo šlehač) zasunutím vrchní části vybraného nástavce do výstupního hřídele a otáčejte proti směru hodinových ručiček, dokud se nástavec neuzamkne na místě. (OBR4 A OBR5)
- Teď přidejte přísady.
- Přístroj nepřehřejte - maximální objem přísad je 1,5 kg.
- Spusťte rameno pomocí knoflíku zdvižení (2). (OBR6)
- Zapojte síťový kabel do správně nainstalované bezpečnostní zásuvky s parametry 220-240 V 50/60 Hz.




- 1 Výstupní hřídel
- 2 Knoflík zdvižení
- 3 Rychlostní knoflík
- 4 Napájecí kabel
- 5 Míchací mísa
- 6 Háček na těsto
- 7 Hnětač
- 8 Šlehač
- 9 Pokrývka mísy



- Nastavte rychlost přístroje pomocí rychlostního knoflíku na hodnotu mezi 1 a 6 (odpovídající směsi).
- Pro pulzující provoz (mísení v krátkých intervalech), přepněte spínač do polohy „PULZ“. Spínač musí setrvat v této poloze po dobu požadovaného intervalu. Jakmile spínač uvolníte, automaticky se vrátí do polohy „0“.
- Po mísení/míchání přepněte rychlostní knoflík (3) zpět do polohy „0“, jakmile se směs zformuje do kuličky. Následně vypojte zástrčku.
- Zatlačte knoflík zdvižení (2) dolů a rameno se zvedne.
- Směs je teď možné uvolnit pomocí špachtle a vyjmout z míchací mísy.
- Míchací mísu je teď možné odstranit.
- Vyčistěte díly, jak je to popsáno v části „Čištění“.



Nastavení úrovně a použití háku na těsto se směsí s objemem nepřesahujícím 1,5 kg

| Použití | Obrázek | Úrovně | Čas (min) | Maximum | Způsob provozu |
|--------------|-----------------------------------------------------------------------------------|--------|-------------|------------------------------|-----------------------------------------------------------------------------------------------------------------------------------------------------------------|
| Hák na těsto |  | 1-3 | 3-5 | 1000 g mouky 538 g vody | Míchání na rychlosti 1 po dobu 30 vteřin, míchání na rychlosti 2 po dobu 30 vteřin a následně míchání na rychlosti 3 po dobu 2 až 4 minut pro vytvarování masy. |
| Hnětač |  | 2-4 | 3-5 | 660 g mouky 840 g vody | Hnětení na rychlosti 2 po dobu 20 vteřin, hnětení na rychlosti 4 po dobu delší než 2 minuty a 40 vteřin. |
| Šlehač |  | 6 | 3-10 | 3 vaječné bílky (Minimum) | Nastavení 6 pro provoz delší než 3 minuty. |

| Vyhledávání a řešení problémů | | |
|-------------------------------|---------------------------------------------------------------------------------------|-------------------------------------------------------------------------------------------------------------------------------------------------------------------------------------------------------------------------------------------------------------|
| Č. | Problémy | Řešení |
| 1 | Přístroj nefunguje | Zkontrolujte, zda je zástrčka v dostatečném kontaktu se zásuvkou. ·Zkontrolujte, zda tlačítko zdvižení vyskočilo zpět do své polohy. ·Zkontrolujte, zda přístroj zvládá nepřetržitý provoz delší než 6-10 minut a počkejte, dokud se motor nezchladí. |
| 2 | Hluk v míchací míse během provozu (příslušenství poškrábalo mísu) | ·Zkontrolujte, zda je míchací mísa správně nainstalována. ·Zkontrolujte, zda je příslušenství správně nainstalováno na přístroji. |
| 3 | Pokrývka mísy nepasuje na míchací mísu | ·Zkontrolujte, zda je pokrývka mísy správně umístěna na přístroji. ·Zkontrolujte, zda je míchací mísa správně namontována na přístroji a uzamčena. |
| 4 | Přístroj nefunguje při určité rychlosti | ·Zkontrolujte, zda označení na rychlostním knoflíku odpovídá rychlostním označením na krytu. ·Otočte rychlostní knoflík do polohy 0 a opětovně zkontrolujte, zda přístroj funguje. |
| 5 | Přístroj se pohybuje během provozu | ·Zkontrolujte, zda protiskluzové nožičky neodpadávají. ·Zkontrolujte, zda je přístroj umístěn na hladkém a rovnom povrchu. |
| 6 | Tlačítko zdvižení nevyskočilo zpět na místo po instalaci míchací mísy a pokrývky mísy | ·Zkontrolujte, zda je pokrývka mísy správně umístěna na přístroji. ·Zkontrolujte, zda je míchací mísa správně nainstalována. |

Čištění

Před čištěním vypojte síťový kabel ze zásuvky.

Kryt s motorem nikdy neponořujte do vody!

Nepoužívejte žádné ostré nebo abrazivní čisticí prostředky.

Kryt motoru

Na čištění vnější části krytu by měla být používána pouze navlhčená utěrka.

Míchací mísa, míchací vybavení

POZOR:

- Díly nejsou určeny na čištění v myčce nádobí. Budou-li vystaveny vysoké teplotě nebo kaustickým čisticím prostředkům, může dojít k jejich deformaci nebo změně barvy.
- Díly, které přišli do kontaktu s potravinami, lze vyčistit v mýdlové vodě.
- Nechte díly důkladně vyschnout předtím, než zařízení znovu zmontujete.
- Jakmile nástavce vyschnou, aplikujte na ně, prosím, malé množství rostlinného oleje.

Likvidace



Zařízení nelikvidujte spolu s běžným odpadem z domácnosti.

Zařízení zlikvidujte u registrované společnosti na likvidaci odpadu nebo použijte své místní zařízení na likvidaci odpadu.

Řiďte se momentálně platnými předpisy. V případě pochyb kontaktujte své místní zařízení likvidace odpadu.

Záruka

Poskytovatelem záruky a autorizovaným poskytovatelem služeb je AD Vita d.o.o., Tovarniška 7b, 3210 Slovenske Konjice, Slovinsko, přebírá odpovědnost za to, že výrobek bude během záruční doby bezchybně fungovat. V záruční době, která začíná dodáním produktu, opravíme všechny nedokonalosti a vady na produktu, které by vznikly běžným používáním produktu. Záruka zaniká, pokud do výrobku zasahovala osoba neoprávněná vydavatelem záručního listu nebo byly k opravě použity neoriginální díly. Pokud nebude produkt opraven do 45 dnů od obdržení servisního požadavku, poskytovatel záruky jej bezplatně vymění za produkt nový, identický a bezchybný. Záruka se prodlužuje o počet dní, které trvala oprava výrobku.

Záruka nepokrývá:

1. mechanické poškození a závady vzniklé v důsledku nesprávného používání a/nebo opotřebení výrobku
2. škody způsobené vyšší mocí.
3. spotřební díly.

Záruka platí v zemi, kde byl produkt zakoupen a uplatňuje se v místě nákupu nebo u autorizovaného prodejce pro tento trh, který je uveden v prohlášení o produktu na obalu. Záruka nevyklučuje práva spotřebitele vyplývající z odpovědnosti prodávajícího za vady dodaného zboží. Záruční doba trvá 24 měsíců. Za opravu výrobku odpovídá dovozce pro jednotlivé trhy.

Produkt: _____

Datum dodání zboží: _____

Műszaki adatok

Modell: SM-1518

Névleges feszültség: 220-240V~ 50-60Hz

Teljesítmény: 1400W

Érintésvédelmi osztály: II

Általános biztonsági utasítások

A készülék üzembe helyezése előtt figyelmesen olvassa el a használati utasítást. Őrizze meg a használati utasítást, a garancialevelet, a nyugtát, és lehetőség szerint a dobozt és a belső csomagolást. Ha továbbadja másnak e készüléket, adja vele tovább a használati utasítást is.

A készülék kizárólag magánjellegű használatra való és a megjelölt célra. Ez a készülék kereskedelmi használatra nem alkalmas. Ne használja szabadban (kivéve ha kültéri használatra tervezték). Tartsa távol hőforrásoktól, közvetlen napfénytől, nedvességtől (soha ne mártsa bele semmilyen folyadékba) és éles peremektől. A készüléket ne használja vizes kézzel. Ha a készülék nedves vagy vizes, azonnal húzza ki a konnektorból.

A készüléket kapcsolja ki, amikor tisztítja vagy elpakolja; és mindig húzza ki a konnektorból (ne a kábelnél, hanem a dugónál fogva), ha nem használja, a felszerelt tartozékokat pedig távolítsa el róla.

A készüléket működés közben ne hagyja felügyelet nélkül. Ha a munkaterületet elhagyja, mindig kapcsolja ki a gépet vagy húzza ki a konnektorból (ne a kábelnél, hanem a dugónál fogva).

Rendszeresen ellenőrizze, hogy nem sérült-e meg a készülék és a vezeték. Ha a készülék sérült, ne használja. Ne próbálja házilag javítani a készüléket, mindig forduljon szakemberhez. A veszélyhelyzetek elkerülése érdekében a hibás kábelt kizárólag a gyártó, az ügyfélszolgálatunk vagy szakember cserélheti ki, mégpedig ugyanolyan típusú vezetékre.

Kizárólag eredeti pótalkatrészeket használjon.

Kiemelten ügyeljen az alábbi "Különleges biztonsági utasítások"-ra.

Gyerekek és csökkentett képességű személyek

A gyermekek biztonsága érdekében a csomagolás minden részét (műanyag zacskók, dobozok, polisztirol) tartsa olyan helyen, ahol nem érhetik el.

Vigyázat! Ne hagyja, hogy kisgyerekek a fóliával játszanak, mert ez fulladásveszéllyel jár!

E készüléket gyerekek ne használják. A készüléket és vezetékét tartsa olyan helyen, ahol gyerekek nem érhetik el. Ez a készülék nem játék. Gyerekek nem játszhatnak vele.

A készüléket használhatja olyan személy, aki csökkentett fizikális, érzékszervi vagy mentális képességekkel bír, illetve nem rendelkezik megfelelő tudással és tapasztalattal, amennyiben ezt felügyelet mellett teszi, vagy megtanították a készülék biztonságos használatára és tisztában van a lehetséges kockázatokkal.

E gépre vonatkozó különleges biztonsági utasítások

Mindig húzza ki a készüléket a konnektorból, ha felügyelet nélkül hagyja, továbbá össze- és szétszerelés vagy tisztítás előtt.

Ha tartozékot cserél vagy olyan alkatrész közelébe nyúl, amely működés közben mozog, kapcsolja ki a készüléket és húzza ki a konnektorból.

A készüléket kizárólag rendeltetészerűen használja.

Vigyázat: A hőkioldó szándékolatlan alaphelyzetbe állásából fakadó veszély elkerülése érdekében e készülék nem kaphatja az áramot külső kapcsolóeszközön (pl. időzítőn) keresztül, vagy olyan áramkörrel, amelyet a szolgáltató rendszeresen fel- és lekapcsol.

A készülék kizárólag felügyelet mellett működhet.

A biztonsági kapcsolók működésébe ne avatkozzon bele.

A gép működése közben a forgó kampókra ne helyezzen semmit.

A készüléket sima, sík és stabil munkafelületre tegye.

A szükséges tartozékok felszerelése előtt ne dugja be a gépet a konnektorba.

A részegységek áttekintése

A keverőedény használata

• A fejrész felemeléséhez forgassa el az óra járásával egyező irányban az emelőkart (2). A fejrész ekkor elmozdul felfelé. (FIG1)

• Tegye fel a helyére a fedelet. (FIG2)

• Tegye a keverőedényt a tartórészbe (Step1) és forgassa el az edényt az óra járásával egyező irányba, amíg a helyére nem rögzül (Step 2). (FIG3)

• Szerelje fel a szükséges eszközt (dagasztókampó, keverő, habverő) úgy, hogy a felső végét a kimeneti tengelyre illeszti és az óra járásával ellentétes irányban addig forgatja, amíg a helyére nem rögzül. (FIG4 & FIG5).

• Ekkor tegye bele a hozzávalókat.

Ne töltse túlságosan meg a gépet – a hozzávalók maximális mennyisége 1,5 kg.

• Az emelőkarral (2) engedje le a fejrészt. (FIG6)

• A dugót dugja be megfelelően telepített 220-240V 50/60 Hz földelt konnektorba.

1 Kimeneti tengely

2 Emelőkar

3 Sebességszabályozó
tekerőgomb

4 Hálózati kábel

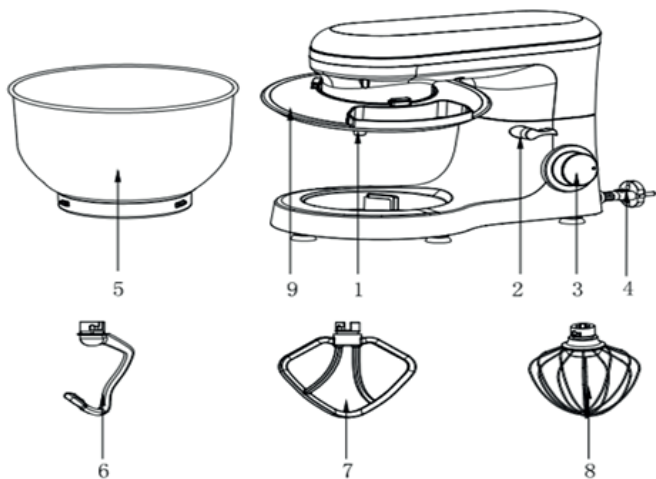
5 Keverőedény

6 Dagasztókampó

7 Keverő

8 Habverő

9 Edényfedél



• Kapcsolja be a készüléket a sebességszabályozó gombbal (1-6 fokozatra állítva, a keveréktől függően).

• A pulzáló üzemmódoz (rövid intervallumokban történő dagasztás) állítsa a kapcsolót a "PULSE" (pulzálás) állásba. A kapcsolót ebben az állásban kell tartani a kívánt intervallum hosszának megfelelően. Ha elengedi a kapcsolót, az automatikusan visszaáll a "0" állásba.

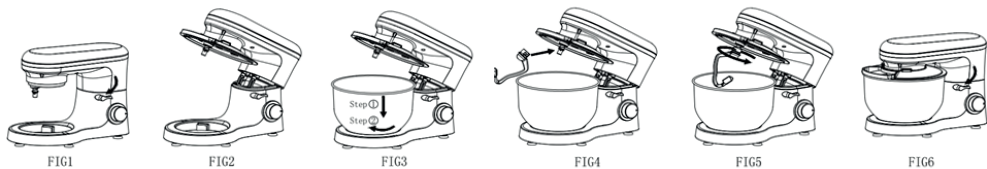
• A dagasztás / keverés után a sebességszabályozó gombot (3) forgassa vissza a "0" állásba, amint a keverék összeállt egy csomóba. Ezután húzza ki a konnektorból.

• Az emelőkart (2) nyomja lefelé és a fejrész felemelkedik.




• A keveréket ekkor kisedőlapáttal ki lehet venni a keverőedényből.

• Ezután a keverőedény levehető.

• Az alkatrészeket a "Tisztítás" részben leírtaknak megfelelően tisztítsa meg.



A fokozatok beállítása és a dagasztókampó használata max. 1,5 kg-nyi keverékhez

| Eszköz | Ábra | Fokozat | Időtartam (perc) | Maximum | Működtetési mód |
|----------------|-----------------------------------------------------------------------------------|---------|------------------|---------------------------|---------------------------------------------------------------------------------------------------|
| Dagasztó-kampó |  | 1-3 | 3-5 | 1000 g liszt és 538 g víz | 1. fokozaton 30 mp-ig, 2. fokozaton 30 mp-ig, majd a 3. fokozaton 2-4 percig, amíg össze nem áll. |
| Keveő |  | 2-4 | 3-5 | 660 g liszt és 840 g víz | 2. fokozaton 20 mp-ig, 4. fokozaton legalább 2 perc 40 mp-ig |
| Habverő |  | 6 | 3-10 | 3 tojásfehérje (minimum) | 6. fokozaton legalább 3 percig. |

| Hibaelhárítás | | |
|---------------|-----------------------------------------------------------------------------------------|-----------------------------------------------------------------------------------------------------------------------------------------------------------------------------------------------------------------------------------------------------------------------------------------------------------|
| Szám | Probléma | Megoldás |
| 1 | Nem működik a gép | <ul style="list-style-type: none"> ·Ellenőrizze, hogy a dugó megfelelően csatlakozik-e a konnektorba. ·Ellenőrizze, hogy az emelőkar visszaugrott-e a helyére. ·Ügyeljen rá, hogy a gép folyamatosan ne működjön 6-10 percnél tovább; ezután várjon, amíg a motor lehűl. |
| 2 | Működés közben zaj jön a keverőedényből (a tartozék hozzáér az edényhez) | <ul style="list-style-type: none"> ·Ellenőrizze, hogy a keverőedény megfelelően lett-e felhelyezve. ·Ellenőrizze, hogy a tartozék megfelelően lett-e felszerelve a gépre. |
| 3 | Az edényfedél nem illeszkedik rendesen a keverőedényre | <ul style="list-style-type: none"> ·Ellenőrizze, hogy az edényfedél megfelelően lett-e feltéve a gépre. ·Ellenőrizze, hogy a keverőedény megfelelően lett-e felszerelve a gépre és rögzült-e a helyén. |
| 4 | A gép bizonyos sebességfokozatokon nem működik | <ul style="list-style-type: none"> ·Ellenőrizze, hogy a sebességszabályzó gombon lévő jel ugyanott áll-e, mint a burkolaton látható sebességjelölő. ·Forgassa a sebességszabályzó gombot 0 állásba, és ismételten ellenőrizze, hogy működik-e a gép. |
| 5 | A gép működés közben elmozdul | <ul style="list-style-type: none"> ·Ellenőrizze, hogy a csúszásgátló láb nem esett-e le. ·Győződjön meg róla, hogy a gépet sima és sík asztalfelületre helyezte-e. |
| 6 | Az emelőkar nem ugrik vissza a helyére a keverőedény és az edényfedél felhelyezése után | <ul style="list-style-type: none"> ·Ellenőrizze, hogy az edényfedél megfelelően lett-e feltéve a gépre. ·Ellenőrizze, hogy a keverőedény megfelelően lett-e felhelyezve. |

Tisztítás

Tisztítás előtt a készülék dugóját húzza ki a konnektorból.

A motorházat soha ne mártsa vízbe!

Ne használjon éles vagy dörzsölő hatású tisztítószer.

Motorburkolat

A burkolat külsejét kizárólag nedves törlőkendővel tisztítsa.

Keverőedény, keverőberendezés

VIGYÁZAT:

- A részegységek mosogatógépben nem mosogathatóak. Hő hatására vagy maró hatású tisztítószer használata esetén deformálódhatnak vagy elszíneződhetnek.
- Az élelmiszerrel érintkező részegységek szappanos vízben tisztíthatóak.
- A készülék ismételt összeszerelése előtt várja meg, amíg az alkatrészek teljesen megszáradnak.
- Száradást követően vigyen fel egy kevés növényi olajat a tartozékok felületére.

Leselejtés



A készüléket ne a kommunális hulladékkal dobja ki.

A készüléket bejegyzett hulladékkezelő cégnél adja le vagy a helyi hulladékudvarban.

Tartsa be az érvényben lévő jogszabályokat. Kétség esetén forduljon kérdéseivel a hulladékudvarhoz.

Garancia

A jótállás biztosítója és a hivatalos szervizszolgáltató az AD Vita d.o.o., Tovarniška 7b, 3210 Slovenske Konjice, Szlovénia,

felelősséget vállal azért, hogy a termék garanciális időszak alatti működése kifogástalan legyen. A jótállási idő alatt,

amely a termék kiszállításával kezdődik, a termék minden hiányosságát és hibáját kijavítjuk, amely a termék normál használatának eredményeként fordul elő. A garancia érvénytelenné válik, amennyiben a terméket a jótállási kártya kibocsátója által nem felhatalmazott személy manipulálta, vagy ha a javításhoz nem eredeti alkatrészeket használtak fel. Ha a terméket a szervizelés kérvényezésétől számított 45 napon belül nem javítják meg, a jótállás biztosítója kicseréli egy új, azonos és hibátlan termékre ingyenesen.

A jótállás ideje meghosszabbodik az igénybe vett javítási napok számával.

A garancia nem terjed ki a következőkre:

1. a termék nem megfelelő használatából és/vagy karbantartásából eredő mechanikai sérülések és hibák.
2. rendkívüli események okozta kár.
3. fogyóeszközök.

A garancia abban az országban érvényes, ahol a vásárlás történt, és a vásárlás helyszínén érvényesül, vagy egy erre a piacra felhatalmazott viszonteladónál, amely a csomagoláson található terméknnyilatkozatban megtalálható. A jótállás nem zárja ki a fogyasztó jogait, amelyek az eladó felelősségéből származnak a szállított áruk hibáiért. A jótállás ideje 24 hónap. Az egyes piacokon az importőr felelős a termék javításáért.

Termék: _____

Az áru kiszállításának dátuma: _____

Dati Tecnici

Modello: SM-1518

Tensione nominale: 220-240V~ 50-60Hz

Potenza assorbita: 1400W

Classe di protezione: II

Indicazioni generali di sicurezza

Leggere attentamente le istruzioni per l'uso prima di mettere in funzione l'elettrodomestico e conservare il manuale di istruzioni comprensivo di garanzia, la ricevuta e, se possibile, la confezione con l'imballaggio interno. Se si cede questo elettrodomestico ad altre persone, si prega di cedere anche le istruzioni per l'uso. L'elettrodomestico è progettato esclusivamente per l'uso privato e per la finalità prevista. Questo elettrodomestico non è adatto all'uso commerciale. Non utilizzarlo all'aperto (tranne se progettato per essere utilizzato in ambienti esterni). Tenerlo lontano da fonti di calore, luce solare diretta, umidità (mai immergerlo in liquidi) ed estremità appuntite. Non utilizzare l'elettrodomestico con le mani bagnate. Se l'elettrodomestico è umido o bagnato, scollegarlo immediatamente.

Quando si pulisce o si ripone l'elettrodomestico, spegnerlo ed estrarre sempre la spina dalla presa (tirare la spina, non il cavo) se l'elettrodomestico non è in uso e rimuovere gli accessori collegati.

Non utilizzare l'elettrodomestico senza supervisione. Se è necessario allontanarsi dal posto di lavoro, spegnere sempre il macchinario o staccare la spina dalla presa (tirare la spina, non il cavo).

Controllare regolarmente l'elettrodomestico e il cavo per assicurarsi che non siano danneggiati. Non utilizzare l'elettrodomestico se danneggiato. Non tentare di riparare personalmente l'elettrodomestico. Rivolgersi sempre a un tecnico autorizzato. Per evitare di esporsi a pericoli, far sostituire sempre un cavo difettoso esclusivamente dal produttore, dal nostro servizio clienti o da personale qualificato e con un cavo dello stesso tipo.

Utilizzare solo parti di ricambio originali.

Prestare particolare attenzione alle "Indicazioni speciali di sicurezza" riportate di seguito.

Bambini e individui fragili

Per garantire la sicurezza dei bambini, si prega di tenere tutti gli imballaggi (sacchetti di plastica, scatole, polistirolo etc.) fuori dalla loro portata. Attenzione! Non permettere ai bambini piccoli di giocare con la pellicola in quanto vi è pericolo di soffocamento! Questo elettrodomestico non deve essere utilizzato da bambini. Tenere l'elettrodomestico e il relativo cavo fuori dalla portata dei bambini. Questo macchinario non è un giocattolo. I bambini non devono giocare con l'elettrodomestico. Gli elettrodomestici possono essere utilizzati da persone con ridotte capacità fisiche, sensoriali o mentali o prive di esperienza e conoscenza se vengono sorvegliati o hanno ricevuto istruzioni sull'utilizzo sicuro del macchinario e se comprendono i rischi connessi.

Indicazioni speciali di sicurezza per questo elettrodomestico

Scollegare sempre l'elettrodomestico dall'alimentazione se lasciato incustodito e prima di montarlo, smontarlo o pulirlo.

Spegnere l'elettrodomestico e scollegarlo dall'alimentazione prima di cambiare gli accessori o avvicinarsi a parti in movimento in uso.

Non utilizzare l'elettrodomestico per scopi diversi da quelli previsti.

Attenzione: per evitare pericoli dovuti al ripristino accidentale della protezione termica, questo elettrodomestico non deve essere alimentato tramite un commutatore esterno, come un timer, o collegato a un circuito regolarmente acceso e spento dall'utenza.

Utilizzare questo elettrodomestico solo sotto supervisione.

Non interferire con alcun interruttore di sicurezza.

Non inserire niente nei ganci rotanti mentre l'elettrodomestico è in funzione.

Collocare l'elettrodomestico su una superficie di lavoro liscia, piana e stabile.

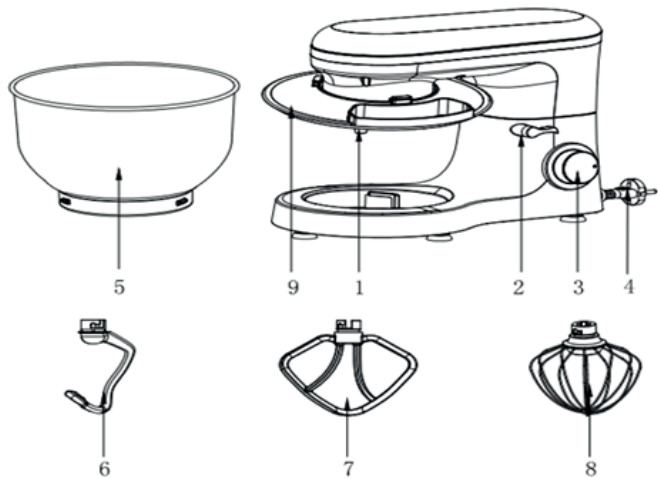
Non inserire la spina di alimentazione dell'elettrodomestico nella presa di corrente senza aver installato tutti gli accessori necessari.

Panoramica dei componenti

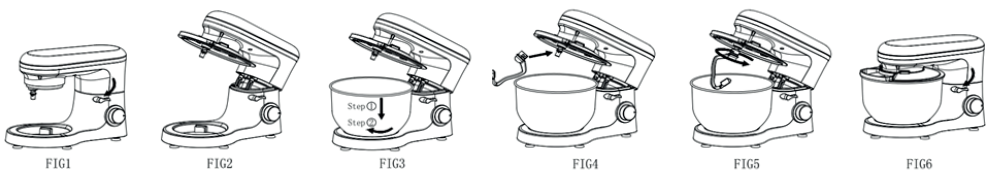
Utilizzo del recipiente di miscelazione

- Per sollevare il braccio, ruotare in senso orario la manopola di sollevamento (2). Il braccio ora si muoverà verso l'alto (fig. 1).
- Inserire il coperchio del recipiente nel suo corpo (fig. 2).
- Posizionare il recipiente di miscelazione nel dispositivo di fissaggio (passaggio 1) e ruotare il recipiente in senso orario fino a bloccarlo in posizione (passaggio 2) (fig. 3).
- Montare l'utensile necessario (gancio impastatore, a foglia o a filo) inserendo la parte superiore nell'albero di uscita e ruotare in senso antiorario fino a bloccarlo in posizione (fig. 4 e fig. 5).
- Ora è possibile inserire gli ingredienti.
- Evitare di riempire eccessivamente l'elettrodomestico: la quantità massima di ingredienti è 1,5 kg.
- Abbassare il braccio utilizzando la manopola di sollevamento (2) (fig. 6).
- Inserire la spina di alimentazione in una presa di corrente di sicurezza 220-240V 50/60 Hz correttamente installata.




- 1 Albero di uscita
- 2 Manopola di sollevamento
- 3 Regolatore di velocità
- 4 Cavo di alimentazione
- 5 Recipiente di miscelazione
- 6 Gancio impastatore
- 7 Frusta a foglia
- 8 Frusta a filo
- 9 Coperchio del recipiente di miscelazione



- Utilizzando il regolatore di velocità, portare il macchinario su una velocità compresa fra 1 e 6 (corrispondente all'impasto).
- Per il funzionamento a impulsi (lavorazione dell'impasto a intervalli brevi), ruotare il regolatore in posizione "PULSE". Il regolatore deve essere mantenuto in questa posizione in base alla durata desiderata dell'intervallo. Quando rilasciato, il regolatore torna automaticamente in posizione "0".
- Dopo aver impastato/mescolato, riportare il regolatore di velocità (3) in posizione "0" non appena l'impasto ha formato una palla, quindi staccare la spina di alimentazione.
- Spingere la manopola di sollevamento (2) verso il basso per far alzare il braccio.
- A questo punto, l'impasto può essere rimosso dal recipiente di miscelazione con l'ausilio di una spatola.
- Ora è possibile rimuovere il recipiente di miscelazione.
- Pulire le componenti come descritto nella sezione "Pulizia".



Regolazione dei livelli e utilizzo del gancio impastatore per non più di 1,5 kg di impasto

| Uso | Immagine | Livelli | Tempo (min) | Massimo | Metodo operativo |
|---------------------------|-----------------------------------------------------------------------------------|---------|-------------|--------------------------------|------------------------------------------------------------------------------------------------------|
| Gancio impastatore |  | 1-3 | 3-5 | 1000g di farina e 538g d'acqua | Velocità 1 per 30 sec, velocità 2 per 30 sec e infine velocità 3 per 2-4 min per formare un ammasso. |
| Frusta a foglia |  | 2-4 | 3-5 | 660g di farina e 840g d'acqua | Velocità 2 per 20 sec, velocità 4 per più di 2 min e 40 sec. |
| Frusta a filo |  | 6 | 3-10 | 3 albumi (minimo) | Velocità 6 per 3 minuti e più. |

| Risoluzione dei problemi | | |
|---------------------------------|---------------------------------------------------------------------------------------------------------------------------|-----------------------------------------------------------------------------------------------------------------------------------------------------------------------------------------------------------------------------------------------------------------------------------------------------------------------------|
| N. | Problema | Soluzione |
| 1 | Il dispositivo non funziona | <ul style="list-style-type: none"> · Accertarsi che la spina sia ben a contatto con la presa. · Accertarsi che la manopola di sollevamento sia tornata in posizione. · Accertarsi che il dispositivo funzioni continuamente per più di 6-10 minuti e attendere che il motore si raffreddi. |
| 2 | Rumore nel recipiente di miscelazione durante il funzionamento (l'accessorio raschia il recipiente) | <ul style="list-style-type: none"> · Accertarsi che il recipiente di miscelazione sia installato correttamente. · Accertarsi che l'accessorio sia installato correttamente sul dispositivo. |
| 3 | Il coperchio del recipiente non si adatta correttamente al recipiente di miscelazione. | <ul style="list-style-type: none"> · Accertarsi che il coperchio del recipiente sia posizionato correttamente sul dispositivo. · Accertarsi che il recipiente di miscelazione sia installato correttamente sul dispositivo e bloccato correttamente. |
| 4 | Il dispositivo non funziona a una determinata velocità | <ul style="list-style-type: none"> · Accertarsi che l'indicatore sul regolatore di velocità corrisponda alla serigrafia della velocità sull'alloggiamento. · Ruotare il regolatore di velocità su 0 e ricontrollare se il dispositivo funziona. |
| 5 | Movimenti durante il funzionamento del dispositivo | <ul style="list-style-type: none"> · Accertarsi che i piedini antiscivolo non si siano staccati. · Accertarsi che il dispositivo si trovi su una superficie liscia e piana. |
| 6 | La manopola di sollevamento non torna in posizione dopo aver posizionato il recipiente di miscelazione e il suo coperchio | <ul style="list-style-type: none"> · Accertarsi che il coperchio del recipiente sia posizionato correttamente sul dispositivo. · Accertarsi che il recipiente di miscelazione sia installato correttamente. |

Pulizia

Prima di procedere con la pulizia, staccare la spina di alimentazione dalla presa.

Mai immergere l'alloggiamento con il motore in acqua!

Non utilizzare detergenti forti o abrasivi.

Alloggiamento del motore

Usare esclusivamente un panno umido per pulire l'esterno dell'alloggiamento.

Recipiente e accessori di miscelazione

ATTENZIONE:

- I componenti non sono adatti al lavaggio in lavastoviglie. Se esposti a calore o detergenti corrosivi, potrebbero deformarsi o scolorirsi.
- I componenti che sono entrati in contatto con alimenti possono essere puliti con acqua e sapone.
- Attendere che i componenti siano completamente asciutti prima di montare nuovamente il dispositivo.
- Applicare una piccola quantità di olio vegetale sugli accessori una volta asciugati

Smaltimento



Non smaltire il dispositivo nei normali rifiuti domestici.

Smaltire il dispositivo presso un'impresa di smaltimento rifiuti registrata o tramite il centro di smaltimento rifiuti comunale.

Rispettare le normative attualmente in vigore. In caso di dubbi, contattare il proprio centro di smaltimento rifiuti.

Garanzia

Il fornitore della garanzia e centro di assistenza autorizzato è AD Vita d.o.o., Tovarniška 7b, 3210 Slovenske Konjice, Slovenia, e si assume la responsabilità del perfetto funzionamento del prodotto durante il periodo coperto da garanzia. Durante il periodo di garanzia, che inizia con la consegna del prodotto, ci impegniamo a riparare tutte le imperfezioni e i difetti del prodotto che potrebbero verificarsi a seguito del normale utilizzo dello stesso. La garanzia decade quando il prodotto è stato manomesso da persona non autorizzata dall'emittente del certificato di garanzia o per la riparazione sono state utilizzate parti non originali. Se il prodotto non viene riparato entro 45 giorni dalla ricezione della richiesta di assistenza, il fornitore della garanzia provvederà a sostituirlo gratuitamente con un prodotto nuovo, identico e privo di difetti. Il periodo di garanzia verrà esteso per il numero di giorni necessari per la riparazione.

La garanzia non copre:

1. danni e difetti meccanici dovuti ad uso e/o manutenzione non corretti del prodotto;
2. danni causati da forza maggiore;
3. materiali di consumo.

La garanzia è valida nel Paese in cui è stato effettuato l'acquisto e viene applicata nel luogo in cui è stato effettuato l'acquisto o presso un rivenditore autorizzato per tale settore, specificato nella dichiarazione di prodotto sulla confezione. La garanzia non esclude i diritti del consumatore derivanti dalla responsabilità del rivenditore per difetti nella merce fornita.

La garanzia dura 24 mesi. L'importatore per i singoli mercati è responsabile della riparazione del prodotto.

Prodotto: _____

Data di consegna del prodotto: _____

Techniniai duomenys

Modelis: SM-1518

Nominalioji įtampa: 220-240V~ 50-60Hz

Elektros energijos suvartojimas: 1400W

Apsaugos klasė: II

Bendrieji saugos nurodymai

Prieš pradėdami naudoti prietaisą, atidžiai perskaitykite naudojimo instrukcijas ir išsaugokite instrukcijas, įskaitant garantiją, kvitą ir, jei įmanoma, dėžutę su vidine pakuote. Jei šį prietaisą atiduodate kitiems asmenims, taip pat perduokite naudojimo instrukciją. Prietaisas skirtas tik asmeniniam naudojimui ir pagal numatytą paskirtį. Šis prietaisas netinka naudoti komerciniais tikslais. Nenaudokite jo lauke (išskyrus atvejus, kai jis skirtas naudoti lauke). Saugokite jį nuo kaitinimo šaltinių, tiesioginių saulės spindulių, drėgmės (niekada nemerkite jo į jokį skystį) ir aštrių paviršių. Nenaudokite prietaiso drėgnomis rankomis. Jei prietaisas yra drėgnas ar šlapias, nedelsdami ištraukite jį iš elektros tinklo. Valydami ar padėdami prietaisą, jį išjunkite ir visada ištraukite kištuką iš lizdo (traukite už kištuko, o ne už laido), jei prietaisas nenaudojamas, ir nuimkite pridėtus priedus. Nedirbkite su įrenginiu be priežiūros. Jei turite palikti darbo vietą, visada išjunkite įrenginį arba ištraukite kištuką iš elektros lizdo (ištraukite patį kištuką, o ne laidą). Reguliariai tikrinkite, ar įrenginys ir laidas nėra pažeisti. Nenaudokite įrenginio, jei jis yra pažeistas. Nebandykite taisyti įrenginio savarankiškai. Visada kreipkitės į įgaliotąjį meistrą. Kad išvengtumėte pavojaus, visada pasirūpinkite, kad sugedusį laidą pakeistų tik gamintojas, mūsų klientų aptarnavimo tarnyba arba kvalifikuotas asmuo ir tik tokio paties tipo laidu. Naudokite tik originalias atsargines dalis. Atidžiai atkreipkite dėmesį į toliau pateiktus „Specialius saugos nurodymus“.

Vaikai ir silpnos sveikatos asmenys

Siekdami užtikrinti vaikų saugumą, saugokite visas pakuotes (plastikinius maišelius, dėžutes, polistireną ir pan.) vaikams nepasiekiamoje vietoje. Dėmesio! Neleiskite mažiems vaikams žaisti su folija, nes kyla pavojus uždusti! Šio prietaiso negali naudoti vaikai. Laikykite prietaisą ir jo laidą vaikams nepasiekiamoje vietoje. Šis prietaisas nėra žaislas. Vaikai negali žaisti su šiuo įrenginiu. Prietaisus gali naudoti asmenys, kurių fiziniai, jutiminiai ar protiniai gebėjimai yra riboti arba kuriems trūksta patirties ir žinių, jei jie yra prižiūrimi arba instruktuojami, kaip saugiai naudoti įrenginį, ir jei jie supranta su tuo susijusius pavojus.

Specialūs saugos nurodymai šiam įrenginiui

Visada atjunkite prietaisą nuo elektros tinklo, jei jis paliekamas be priežiūros, taip pat ir prieš surinkdami, išardydami arba valydami.

Prieš keisdami priedus ar artėdami prie dalių, kurios eksploatuojant juda, išjunkite prietaisą ir atjunkite nuo maitinimo šaltinio.

Nenaudokite prietaiso ne pagal paskirtį.

Įspėjimas: Kad būtų išvengta pavojaus dėl netyčinio šiluminio išjungimo atstatymo, šio prietaiso negalima maitinti per išorinį jungiklį, pvz., laikmatį, arba prijungti prie grandinės, kurią reguliariai įjungia ir išjungia komunalinės paslaugos.

Šią įrangą naudokite tik su priežiūra.

Nekliudykite jokių saugos jungiklių.

Į besisukančius įtaisus neįkiškite jokių daiktų, kol įrenginys veikia.

Pastatykite įrenginį ant lygaus, lygaus ir stabilaus darbinio paviršiaus.

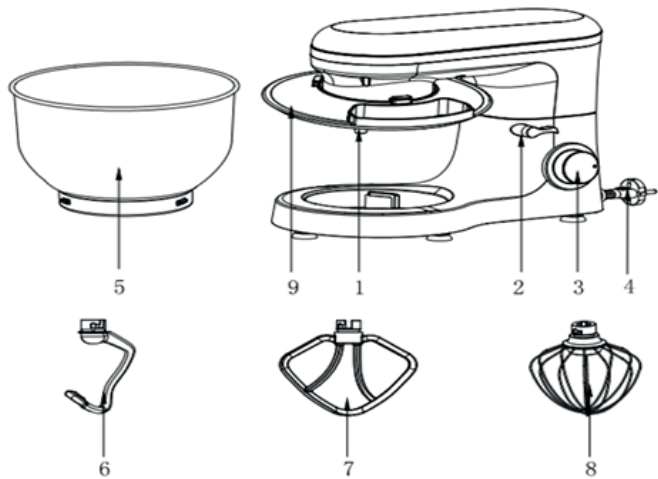
Neįkiškite įrenginio kištuko į elektros lizdą, prieš tai nesumontavę visų reikiamų priedų.

Sudedamųjų dalių apžvalga

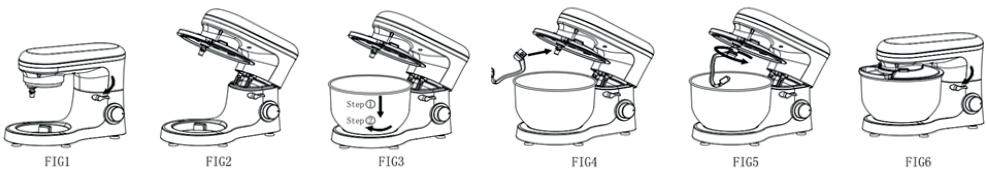
Maišymo indo naudojimas

- Norėdami pakelti rankeną, pagal laikrodžio rodyklę pasukite pakėlimo rankenėlę (2). Rankenėlė dabar judės į viršų. (FIG1)
- Įdėkite puodo dangtį į jo korpusą. (FIG2)
- Įdėkite maišymo dubenį į laikymo įtaisą (Žingsnis 1) ir sukite dubenį pagal laikrodžio rodyklę, kol jis užsifiksuos (Žingsnis 2). (FIG3)
- Sumontuokite reikiamą įrankį (tešlos kablį arba muštuvą, arba plakiklį) įstumdami viršų į išvesties veleną, ir sukite prieš laikrodžio rodyklę, kol jis užsifiksuos. (FIG4&FIG5)
- Dabar įdėkite ingredientus.
- Neperpildykite įrenginio - didžiausias leidžiamas ingredientų svoris yra 1,5 kg.
- Nuleiskite rankeną naudodami pakėlimo rankenėlę (2). (FIG6)
- Įkiškite tinklo kištuką į tinkamai įrengtą 220-240 V 50/60 Hz saugų elektros lizdą.




- 1 Išvesties velenas
- 2 Pakėlimo rankenėlė
- 3 Greičio nustatymo rankenėlė
- 4 Maitinimo laidas
- 5 Maišymo indas
- 6 Tešlos gaminimo kablys
- 7 Muštuvas
- 8 Plakiklis
- 9 Puodo dangtis



- Greičio reguliavimo rankenėle perjunkite įrenginį į greitį nuo 1 iki 6 (priklausomai nuo mišinio).
- Jei norite minkyti pulsiniu režimu (minkyti trumpais intervalais), pasukite jungiklį į padėtį „PULSE“. Jungiklį reikia laikyti šioje padėtyje atsižvelgiant į pageidaujamą intervalų trukmę. Atleidus jungiklį, jis automatiškai grįžta į „0“ padėtį.
- Po minkymo/maišymo pasukite greičio rankenėlę (3) atgal į „0“ padėtį, kai tik mišinys tampa rutulio formos. Tada ištraukite kištuką iš elektros tinklo.
- Paspauskite pakėlimo rankenėlę (2) žemyn ir rankena bus pakelta.
- Dabar mišinį galima išimti iš dubens mentele ir išmaišyti.
- Dabar galima išimti maišymo indą.
- Išvalykite dalis, kaip aprašyta skyriuje „Valymas“.



Lygių reguliavimas ir tešlos kablo naudojimas su ne daugiau kaip 1,5 kg mišinio

| Naudoti | Nuotrauka | Lygiai | Laikas (min) | Maksimumas | Veikimo būdas |
|-------------------------------|-----------------------------------------------------------------------------------|--------|--------------|-----------------------------------|---------------------------------------------------------------------------------------------------------------------------------------|
| Tešlos gaminimo kablys |  | 1-3 | 3-5 | 1000g miltų ir 538g vandens | Kad susidarytų junginys, 1 greičio režimas naudojamas 30 sek., 2 greičio režimas - 30 sek., tada 3 greičio režimas - nuo 2 iki 4 min. |
| Muštuvas |  | 2-4 | 3-5 | 660g miltų ir 840g vandens | 2 greičio režimas veikia 20 sek., 4 greičio režimas veikia ilgiau nei 2 min. 40 sek. |
| Plakiklis |  | 6 | 3-10 | 3 kiaušinių baltymai (mažiausiai) | Atidarykite 6 greitį, kad galėtumėte paleisti 3 min. pirmiau. |

| Trikčių šalinimas | | |
|--------------------------|--------------------------------------------------------------------------------|------------------------------------------------------------------------------------------------------------------------------------------------------------------------------------------------------------------------------------------------------------------------------------------|
| NR. | Trikdžiai | Sprendimas |
| 1 | Įrenginys neveikia | <ul style="list-style-type: none"> Patikrinkite, ar kištukas gerai kontaktuoja su lizdu. Patikrinkite, ar pakilimo mygtukas spyruokliuoja. Patikrinkite, ar įrenginys nepertraukiamai veikia ilgiau nei 6-10 minučių, ir palaukite, kol variklis atvės. |
| 2 | Triukšmas maišymo dubenyje dirbant (priedas subraižė dubenį) | <ul style="list-style-type: none"> Patikrinkite, ar tinkamai sumontuotas maišymo indas. Patikrinkite, ar priedas tinkamai sumontuotas įrenginyje. |
| 3 | Puodo dangtis netinkamai priglundą prie maišymo indo | <ul style="list-style-type: none"> Patikrinkite, ar puodo dangtis tinkamai uždėtas ant įrenginio. Patikrinkite, ar maišymo indas tinkamai pritvirtintas prie įrenginio ir tinkamai užfiksuotas. |
| 4 | Įrenginys neveikia tam tikru greičiu | <ul style="list-style-type: none"> Patikrinkite, ar ant greičio rankenėlės esanti žyma atitinka greičio žymes ant korpuso. Pasukite greičio rankenėlę į 0 ir dar kartą patikrinkite, ar įrenginys veikia. |
| 5 | Judesiai, kai įrenginys veikia | <ul style="list-style-type: none"> Patikrinkite, ar neslystančios kojelės nenukrito. Patikrinkite, ar įrenginys pastatytas ant lygaus ir plokščio stalviršio. |
| 6 | Sumontavus maišymo indą ir puodo dangtį, pakilimo mygtukas neatsistatė į vietą | <ul style="list-style-type: none"> Patikrinkite, ar puodo dangtis tinkamai uždėtas ant įrenginio. Patikrinkite, ar tinkamai sumontuotas maišymo indas. |

Valymas

Prieš valydami ištraukite tinklo laidą iš lizdo.
Niekada nemerkite korpuso su varikliu į vandenį!
Nenaudokite aštrių ar abrazyvinių ploviklių.

Variklio korpusas

Korpuso išorę valykite tik drėgna nuskalaujama šluoste.

Maišymo dubuo, Maišymo įranga

ĮSPĖJIMAS:

- **Komponentų negalima plauti indaplovėje. Veikiami karščio ar ėsdinančių valiklių, jie gali deformuotis** arba pakeisti spalvą.
- Sudedamąsias dalis, kurios turėjo sąlytį su maistu, galima valyti muiluotu vandeniu.
- Prieš surinkdami prietaisą iš naujo, leiskite dalims gerai išdžiūti.
- Išdžiūvusius priedus patepkite nedideliu kiekiu augalinio aliejaus.

Šalinimas



Neišmeskite prietaiso į įprastas buitines atliekas.

Išmeskite prietaisą per registruotą atliekų šalinimo įmonę arba per komunalinių atliekų šalinimo punktą.

Laikykitės šiuo metu galiojančių taisyklių. Jei kyla abejonų, kreipkitės į atliekų šalinimo įmonę.

Garantija

Garantijos teikėjas ir įgaliotasis paslaugų teikėjas yra „AD Vita d.o.o.“, Tovarniška 7b, 3210 Slovenske Konjice, Slovėnija,

prisiima atsakomybę, kad gaminys garantiniu laikotarpiu veiks nepriekaištingai. Garantiniu laikotarpiu, kuris prasideda nuo gaminio pristatymo, mes ištaisysime visus gaminio trūkumus ir defektus, kurie atsirastų dėl įprasto gaminio naudojimo. Garantija netenka galios, kai gaminį gadino asmuo, neįgaliotas garantinės kortelės išdavėjo, arba kai remontui buvo panaudotos neoriginalios dalys.

Jei gaminys nesuremontuojamas per 45 dienas nuo techninės priežiūros prašymo gavimo dienos, garantijos teikėjas nemokamai jį pakeičia į naują, identišką ir nepriekaištingą gaminį.

Garantinis laikotarpis bus pratęstas tiek dienų, kiek atliktas remontas truko.

Garantija netaikoma:

1. mechaniniams pažeidimams ir defektams, atsiradusiems dėl netinkamo gaminio naudojimo ir (arba) priežiūros.
2. žalos, atsiradusios dėl force majeure aplinkybių.
3. eksploatacinėms medžiagoms.

Garantija galioja toje šalyje, kurioje buvo įsigyta prekė, ir taikoma toje vietoje, kurioje buvo įsigyta prekė arba iš įgalioto šios rinkos perpardavėjo, kuris nurodytas gaminio deklaracijoje ant pakuotės. Garantija nepanaikina vartotojo teisių, kylančių iš pardavėjo atsakomybės už pateiktų prekių defektus. Garantijos laikotarpis trunka 24 mėnesius. Už gaminio remontą atsako importuotojas atskiroms rinkoms.

Prekė: _____

Prekių pristatymo data: _____

Tehniskā specifikācija

Modelis: SM-1518

Nominālais spriegums: 220-240V~ 50-60Hz

Jaudas patēriņš: 1400W

Aizsardzības klase: II

Vispārīgi drošības norādījumi

Pirms ierīces nodošanas ekspluatācijā uzmanīgi izlasiet lietošanas instrukciju un saglabājiet to, ieskaitot garantiju, čeku un, ja iespējams, kasti ar iekšējo iepakojumu. Ja šo ierīci nododat citām personām, nododiet arī lietošanas instrukciju. Pirms ierīces nodošanas ekspluatācijā uzmanīgi izlasiet lietošanas instrukciju un saglabājiet to, ieskaitot garantiju, čeku un, ja iespējams, kasti ar iekšējo iepakojumu. Ja šo ierīci nododat citām personām, nododiet arī lietošanas instrukciju. Ierīce ir paredzēta tikai personīgai lietošanai un paredzētajam mērķim. Šī ierīce nav piemērota komerciālai lietošanai. Nelietojiet ierīci ārpus telpām (izņemot gadījumus, kad tā ir paredzēta lietošanai ārpus telpām). Sargājiet ierīci no karstuma avotiem, tiešiem saules stariem, mitruma (nekad ne nemērciet šķidrumā) un asām malām. Nelietojiet ierīci ar slapjām rokām. Ja ierīce ir mitra vai slapja, nekavējoties atvienojiet to no elektrības padeves. Tirot vai uzglabājot ierīci, izslēdziet to un vienmēr izvelciet kontaktdakšu no kontaktligzdas (velciet aiz kontaktdakšas, nevis vada), ja ierīce netiek lietota, noņemiet tai pievienotos piederumus. Nelietojiet ierīci bez uzraudzības. Ja jums jāatstāj darba vieta, vienmēr izslēdziet ierīci vai izvelciet kontaktdakšu no kontaktligzdas (velciet aiz kontaktdakšas, nevis vada). Regulāri pārbaudiet, vai ierīce un tās vads nav bojāts. Nelietojiet ierīci, ja tā ir bojāta. Nemēģiniet labot ierīci pašu spēkiem. Vienmēr sazinieties ar pilnvarotu tehniķi. Lai izvairītos no apdraudējuma, bojātu vadu nomainiet tikai ar ražotāja, mūsu klientu apkalpošanas dienesta vai kvalificētas personas starpniecību un aizstājiet to ar tāda paša tipa vadu. Izmantojiet tikai oriģinālās rezerves daļas. Uzmanīgi ievērojiet turpmāk minētos "Īpašos drošības norādījumus".

Bērni un īpaši indivīdi

Lai nodrošinātu bērnu drošību, lūdzu, glabājiet visu iepakojumu (plastmasas maisiņus, kastes, polistirolu u. c.) bērniem nepieejamā vietā. Uzmanību! Neļaujiet maziem bērniem spēlēties ar foliju, jo pastāv aizrīšanās risks! Šo ierīci nedrīkst lietot bērni. Ierīci un tās vadu glabājiet bērniem nepieejamā vietā. Šī ierīce nav rotālieta. Bērni nedrīkst spēlēties ar ierīci. Ierīci var lietot personas ar ierobežotām fiziskajām, maņu vai garīgajām spējām vai bez pieredzes un zināšanām, ja tām ir nodrošināta uzraudzība vai instrukcijas par ierīces lietošanu drošā veidā. Tas ir tādā gadījumā, ja tās saprot ar to saistītos apdraudējumus.

Īpaši drošības norādījumi attiecībā uz šo ierīci

Vienmēr atvienojiet ierīci no strāvas padeves, ja tā ir atstāta bez uzraudzības, un pirms tās montāžas, demontāžas vai izjaukšanas vai tīrīšanas.

Izslēdziet ierīci un atvienojiet to no strāvas padeves, pirms maināt piederumus vai lietojiet detaļas, kas lietošanas laikā kustas.

Neizmantojiet ierīci citam mērķim, kā paredzēts.

Uzmanību: Lai izvairītos no bīstamības, ko var radīt nejausa termiskā atslēguma atiestatīšana, šo ierīci nedrīkst lietot caur ārēju saslēguma ierīci, piemēram, taimeru; vai pieslēgt pie elektriskās ķēdes, kas regulāri tiek izslēgta un ieslēgta ar komunālo pakalpojumu sniedzēja starpniecību.

Darbiniet šo ierīci tikai uzraudzībā.

Neiejaukties drošības slēdžu darbībā.

Neievietojiet neko rotējošajos uzgaļos, kamēr ierīce darbojas.

Novietojiet ierīci uz gludas, līdzenas un stabilas darba virsmas.

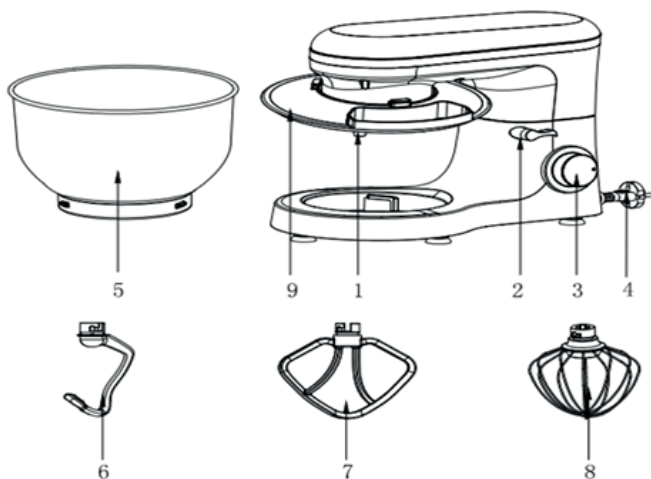
Neievietojiet ierīces kontaktdakšu strāvas kontaktligzdā, ja nav uzstādīti visi nepieciešamie piederumi.

Sastāvdaļu pārskats

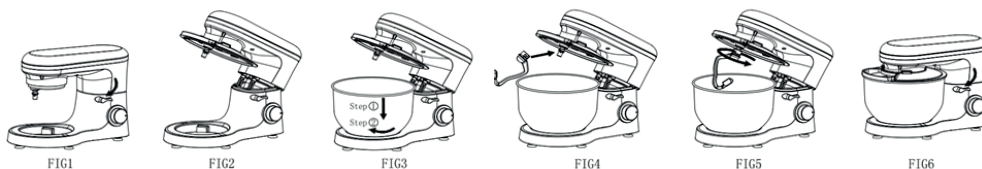
Maisīšanas trauka lietošana

- Lai paceltu rokturi, pagrieziet pacelšanas pogu (2) pulksteņrādītāja kustības virzienā. Rokturis tagad tiks pacelts uz augšu. (FIG1).
- Ievietojiet trauka vāku tā korpusā. (FIG2)
- Ievietojiet sajaukšanas trauku tā turētājā (solis1) un pagrieziet trauku pulksteņrādītāja rādītāja virzienā, līdz tas nobloķējas (solis2). (FIG3)
- Uzstādiēt vajadzīgo piederumu (Mīklas uzvērēju, putotāju, vai mīcītāju, ievietojot virsmu izejas vārpstā, un pagrieziet pretēji pulksteņrādītāja rādītāja virzienam, līdz tas nobloķējas savā vietā. (FIG4&FIG5)
- Tagad iepildiet sastāvdaļas. Nepārpildiet ierīci - maksimālais sastāvdaļu daudzums ir 1,5 kg.
- Nolaidiet rokturi, izmantojot pacelšanas pogu (2). (FIG.6)
- Ievietojiet kontaktdakšu pareizi uzstādītā 220-240 V 50/60 Hz drošības kontaktligzdā.




- 1 Izvades vārpsta
- 2 Pacelšanās rokturis
- 3 Ātruma regulēšanas poga
- 4 Strāvas vads
- 5 Maisīšanas trauks
- 6 Mīklas uzvērējs
- 7 Mīcītājs
- 8 Putotājs
- 9 Trauka vāks



- Greičio reguliavimo rankenėle perjunkite įrenginį į greitį nuo 1 iki 6 (priklausomai nuo mišinio).
- Pārslēdziet ierīci, izmantojot ātruma regulēšanas pogu, uz ātrumu no 1 līdz 6 (atbilstoši maisījumam).
- Impulsa režīmam (mīcīšana īsos intervālos) pagrieziet slēdzi pozīcijā "PULSE". Slēdzis šajā pozīcijā jānotur atbilstoši vēlamajam intervālu ilgumam. Atlaižot slēdzi, tas automātiski atgriežas pozīcijā "0".
- Pēc mīcīšanas/maisīšanas pagrieziet ātruma slēdzi (3) atpakaļ pozīcijā "0", tiklīdz maisījums ir izveidojis bumbu. Pēc tam izņemiet strāvas kontaktdakšu.
- Nospiediet pacelšanas pogu (2) uz leju, un rokturis tiktu pacelts.
- Tagad maisījumu var atbrīvot ar spatulas palīdzību un izņemt no maisīšanas trauka.
- Tagad maisīšanas trauku var izņemt.
- Notīriet detaļas, kā aprakstīts sadaļā "Tīrīšana".



Līmeņu regulēšana un mīklas mīklas uzvērēja izmantošana ne vairāk kā 1,5 kg maisījumam

| Lietošana | Attēls | Līmeņi | Laiks (Min) | Maksimālais | Darbības metode |
|------------------------|-----------------------------------------------------------------------------------|--------|-------------|---------------------------|--------------------------------------------------------------------------|
| Mīklas uzvērējs |  | 1-3 | 3-5 | 1000g milti un 538g ūdens | 1. ātruma režīmā 30s, 2. - 30s, un 3. no 2- 4. min, lai izveidotu kopumu |
| Mīcītājs |  | 2-4 | 3-5 | 660g milti un 840g ūdens | 2. ātruma režīmā 20s, 4. - vairāk kā 2min40s |
| Putotājs |  | 6 | 3-10 | 3 olu baltumi (Minimums) | Lieciet 6. ātrumu, lai darbotos 3 min. un ilgāk. |

| Problēmu novēršana | | |
|--------------------|--------------------------------------------------------------------------------------------|---------------------------------------------------------------------------------------------------------------------------------------------------------------------------------------------------------------------------------------------------------------------------------------------------------|
| NR. | Problēma | Risinājums |
| 1 | ierīce nestrādā | <ul style="list-style-type: none"> ·Pārbaudiet, vai kontaktdakša ir labā kontaktā ar kontaktligzdu. ·Pārbaudiet, vai pacelšanās poga atgriežas savā vietā. ·Pārbaudiet, vai ierīce darbojas nepārtraukti ilgāk par 6-10 minūtēm, un pagaidiet, kamēr motors atdziest.. |
| 2 | Trokšņi maisīšanas traukā, darbības laikā (uzgalis noskrāpēja trauku) | <ul style="list-style-type: none"> ·Pārbaudiet, vai ierīces trauks ir pareizi uzstādīts. ·Pārbaudiet, vai piederums ir pareizi uzstādīts ierīcē. |
| 3 | Trauka vāku nevar pareizi piestiprināt maisīšanas traukam. | <ul style="list-style-type: none"> ·Pārbaudiet, vai katla vāks ir pareizi uzlikts uz ierīces. ·Pārbaudiet, vai ierīces trauks ir pareizi uzstādīts uz ierīces un pareizi fiksēts. |
| 4 | ierīce nedarbojas ar noteiktu ātrumu | <ul style="list-style-type: none"> ·Pārbaudiet, vai uz ātruma regulēšanas pogas esošā atzīme, atbilst ātrumam uz korpusa. ·Pagrieziet ātruma pogu uz 0 un vēlreiz pārbaudiet, vai mašīna darbojas. |
| 5 | ierīces darba laikā notiek kustības | <ul style="list-style-type: none"> ·Pārbaudiet, vai pretslīdes kājiņas nav nokritušas. ·Pārbaudiet, vai mašīna ir novietota uz gludas un līdzenas galda virsmas. |
| 6 | Pēc maisīšanas, trauka un katla vāka ievietošanas, pacelšanās poga neatgriežas savā vietā. | <ul style="list-style-type: none"> · Pārbaudiet, vai katla vāks ir pareizi uzlikts uz ierīces. · Pārbaudiet, vai maisīšanas trauks ir pareizi uzstādīts. |

Tīrīšana

Pirms tīrīšanas izņemiet strāvas vadu no kontaktligzdas.
Nekad nemērciet korpusu ar motoru ūdenī!
Neizmantojiet asus vai abrazīvus mazgāšanas līdzekļus.

Motora Korpus

Korpusa ārpusē tīrīšanai drīkst izmantot tikai mitru drānu.

Maisīšanas bļoda, Maisīšanas aprīkojums

CAUTION:

- Sastāvdaļas nav piemērotas tīrīšanai trauku mazgājamā mašīnā. Ja tās tiek pakļautas karstuma vai kodīgu tīrīšanas līdzekļu iedarbībai, tās var deformēties vai mainīt krāsu.
- Sastāvdaļas, kas nonākušas saskarē ar pārtiku, var tīrīt ziepjūdenī.
- Pirms ierīces atkārtotas montāžas ļaujiet detaļām kārtīgi nožūt.
- Uzklājiet nelielu daudzumu augu eļļas uz ierīces sastāvdaļām, pēc to nožūšanas.

Likvidēšana



Neizmetiet ierīci parastajos sadzīves atkritumos.

Izmetiet ierīci reģistrētā atkritumu apsaimniekošanas iestādē vai tam paredzētajā sadzīves atkritumu izgāztuvē. Ievērojiet pašlaik spēkā esošos noteikumus. Šaubu gadījumā konsultējieties ar atkritumu iznīcināšanas uzņēmumu.

Garantija

Garantijas un pilnvarotais pakalpojumu sniedzējs ir AD Vita d.o.o., Tovarniška 7b, 3210 Slovenske Konjice, Slovēnija, kurš uzņemas atbildību par to, ka produkts garantijas laikā darbosies nevainojami. Garantijas laikā, kas sākas ar produkta piegādi, mēs novērsīsim visas produkta nepilnības un defektus, kas varētu rasties normālas produkta lietošanas rezultātā. Garantija zaudē spēku, ja izstrādājumā ir iejaukusies persona, kuru nav pilnvarojis garantijas kartes izsniedzējs, vai ja remontam ir izmantotas neoriģinālās detaļas. Ja 45 dienu laikā, pēc servisa pieprasījuma saņemšanas, ražojums netiek salabots, garantijas sniedzējs to nomaina pret jaunu, identisku un nevainojamu produktu bez maksas.

Garantijas termiņš tiks pagarināts par tik dienām, cik dienu remonts ir bijis nepieciešams.

Garantija neattiecas uz:

1. mehāniskiem bojājumiem un defektiem, kas radušies nepareizas produkta lietošanas un/vai apkopes dēļ.
2. bojājumiem, kas radušies nepārvaramas varas apstākļu dēļ.
3. ekspluatācijas materiāliem.

Garantija ir spēkā valstī, kurā tika veikts pirkums, un tā tiek īstenota vietā, kur tika veikts pirkums, vai arī no šī tirgus autorizēta tālākpārdevēja, kas norādīts produkta deklarācijā uz iepakojuma. Garantija neizslēdz patērētāja tiesības, kas izriet no pārdevēja atbildības par piegādāto preču defektiem. Garantijas termiņš ir 24 mēneši. Importētājs individuālajos tirgos, ir atbildīgs par preces remontu.

Produkts: _____

Preces piegādes datums: _____

Технички Податоци

Модел: SM-1518

Номинален напон: 220-240V~ 50-60Hz

Потрошувачка на енергија: 1400W

Класа на заштита: II

Општи Упатства за Безбедност

Прочитајте ги внимателно инструкциите за работење пред да го ставите уредот во употреба и чувајте ги упатствата вклучително и гаранцијата, сметката, и доколку е можно кутијата со внатрешното пакување. Доколку го дадете овој уред на други луѓе, ве молиме исто така дадете им ги и упатствата за работење. Уредот е дизајниран исклучително за приватна употреба и за одредената намена. Овој уред не е соодветен за комерцијална употреба. Не го користете надвор (освен ако не е дизајниран да се користи надвор). Чувајте го подалеку од извори на топлина, директна сончева светлина, влажност (никогаш не го потопувајте во ниедна течност) и остри агли. Не го користете уредот со влажни дланки. Доколку уредот е влажен или мокар, веднаш исклучете го од струја.

Кога го чистите или ставате на страна, исклучете го уредот и секогаш извлекувајте го приклучокот од штекерот (повлечете го приклучокот, не кабелот) доколку апаратот не е користен и отстранете ги прикачените додатоци.

Не работете со апаратот без да го надгледувате. Доколку треба да го напуштите работното место, секогаш исклучувајте го апаратот или отстранете го приклучокот од штекерот (повлечете го самиот приклучок, не кабелот).

Проверувајте редовно дали има оштетување на апаратот и кабелот. Не го користете уредот доколку е оштетен. Не се обидувајте да го поправите сами апаратот. Секогаш контактирајте овластен техничар. За да одбегнете изложеност на опасност, секогаш носете го неисправниот кабел на замена само од страна на производителот, од нашата услуга за корисници или од квалификувана личност и со кабел од истиот тип.

Користете само оригинални резервни делови.

Обратете посебно внимание на следните „Специјални Упатства за Безбедност“.

Деца и Ранливи Индивидуи

За да ја осигурате безбедноста на вашите деца, ве молиме чувајте го целото пакување (пластични ќеси, кутии, полистирен итн.) подалеку од нивниот дофат.

Внимание! Не дозволувајте мали деца да си играат со фолијата бидејќи има опасност од задушвање!

Овој уред не треба да го користат деца. Чувајте го уредот и неговиот кабел подалеку од децата.

Овој уред не е играчка. Децата не треба да си играат со уредот.

Уредите можат да се користат од страна на личности со ограничени физички, сензорни или ментални способности или недостиг на искуство и знаење доколку имаат надгледување или инструкции во врска со употреба на уредот за безбеден начин на користење и доколку ги разбираат вклучените ризици.

Специјални упатства за безбедност за овој Уред

Секогаш исклучувајте го уредот од струја доколку не е надгледуван и пред составување и расклопување или чистење.

Исклучете го уредот и исклучувајте го од струја пред да ги промените додатоците или приклучните делови што се движат при употреба.

Не го користете уредот за намена различна од онаа што е назначена.

Внимание: За да одбегнете ризик поради ненамерно ресетирање на термичкиот исклучок, овој уред не треба да се напојува преку надворешен прекинувачки уред, како што е тајмер, или поврзан на коло што е редовно вклучено и исклучено од комунално претпријатие.

Ракувајте со овој уред само со негово надгледување.

Не мешајте со никакви безбедносни прекинувачи.

Не ставајте ништо во ротирачките куки додека машината работи.

Ставете го уредот на мазна, рамна и стабилна работна површина.

Не го ставајте приклучокот на уредот во штекерот без да ги поставите сите потребни податоци.

Додатоци.

Преглед на Компонентите

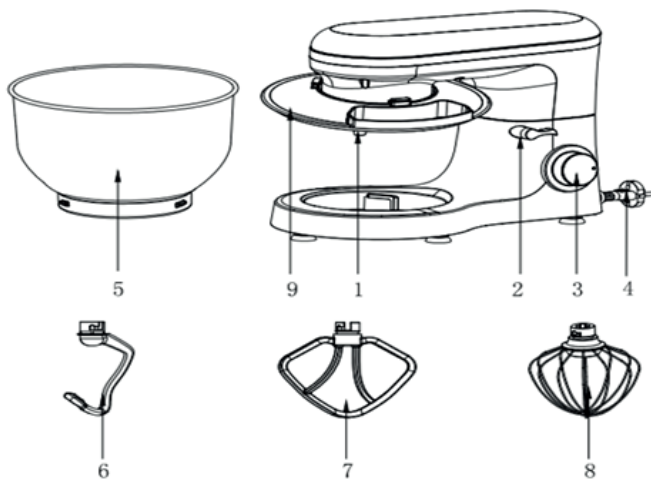
Употреба на садот за мешање

- За да ја подигнете рачката, завртете го копчето Rise (2) во насока на стрелките на часовникот. Рачката сега ќе се движи нагоре. (СЛИКА 1)
- Ставете го капакот на тенџерето во неговото тело. (СЛИКА 2)
- Ставете го садот за мешање во неговиот уред за држење (Чекор1) и свртете го садот во насока на стрелките на часовникот додека не се заклучи на своето место (Чекор 2). (СЛИКА 3)
- Монтирајте го потребниот прибор (Кука за тесто или Тепач или Маталка) со вметнување на горниот дел на излезната осовина, и свртете спротивно од стрелките на часовникот додека не се заклучи на своето место. (СЛИКА 4 & СЛИКА 5)
- Сега наполнете ги вашите состојки.

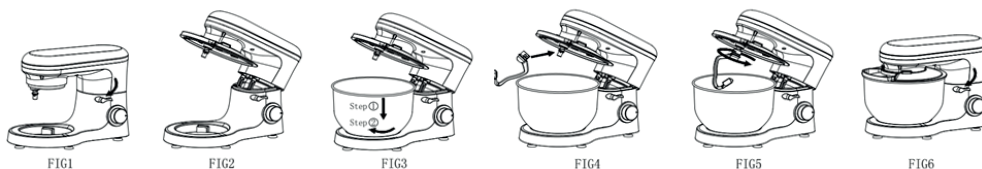
Не ја преполнувајте машината – максималната количина на состојки е 1.5kg.

- Спуштете ја рачката користејќи го копчето за кревање (2). (СЛИКА 6)
- Вметнете го приклучокот за струја во правилно инсталиран безбедносен приклучок од 220-240V 50/60 Hz.


- 1 Излезна осовина
- 2 Рачка за кревање
- 3 Копче за брзина
- 4 Кабел за напојување
- 5 Сад за мешање
- 6 Кука за тесто
- 7 Тепач
- 8 Маталка
- 9 Покривка за тенџере



- Вклучете ја машината користејќи го копчето за брзина на брзина помеѓу 1 и 6 (што одговара на смесата).
- За работа со пулс (месење на кратки интервали), свртете го прекинувачот во положбата "PULSE". Прекинувачот мора да се држи во оваа положба според саканата должина на интервалот. Кога прекинувачот ќе се ослободи, тој автоматски се враќа на позицијата „0“.
- По месење/мешање свртете го копчето за брзина (3) назад во положбата „0“ штом смесата ќе формира топка. Потоа извадете го приклучокот за струја.
- Притиснете го копчето за кревање (2) надолу и рачката ќе се подигне.
- Сега смесата може да се ослободи со помош на шпатула и да се извади од садот за матење.
- Садот за мешање сега може да се извади.
- Исчистете ги деловите како што е опишано во „Чистење“.



Прилагодување на Нивоата и Користење на Куката за Тесто за не повеќе од 1.5kg Смеса

| Употреба | Слика | Нивоа | Време (min) | Максимум | Метод на работење |
|----------------------|-----------------------------------------------------------------------------------|-------|-------------|----------------------------|---------------------------------------------------------------------------------------------------------|
| Кука за тесто |  | 1-3 | 3-5 | 1000g брашно и 538g вода | 1 брзина оди за 30s, 2-брзина оди за 30s, и потоа 3-брзина оди за 2 min до 4 min за да формира кластер. |
| Тепач |  | 2-4 | 3-5 | 660g брашно и 840g вода | 2 брзина оди за 20s, 4-брзина од за повеќе од 2min40s |
| Маталка |  | 6 | 3-10 | 3 белки од јајца (Минимум) | Отворете 6 брзина за да одите вртите од 3min погоре. |

| Решавање проблеми | | |
|--------------------------|-------------------------------------------------------------------------------------------------------|---------------------------------------------------------------------------------------------------------------------------------------------------------------------------------------------------------------------------------------------------------------------------------------------------------|
| БР. | Проблеми | Решение |
| 1 | Уредот не работи | <ul style="list-style-type: none"> ·Проверете дали приклучокот е во добар контакт со штекерот. ·Проверете дали копчето за кревање се враќа на своето место. ·Проверете дали машината работи непрекинато повеќе од 6-10 минути и почекајте додека моторот не се излади. |
| 2 | Врева во садот за мешање додека работи (додатокот го изгреба садот) | <ul style="list-style-type: none"> ·Проверете дали садот за мешање е правилно поставен. ·Проверете дали додатокот е правилно инсталиран во уредот. |
| 3 | Капакот на тенџерето не одговара правилно на садот за мешање | <ul style="list-style-type: none"> ·Проверете дали капакот на тенџерето е правилно поставен на уредот. ·Проверете дали садот за мешање е правилно инсталиран во уредот и дали е правилно заклучен. |
| 4 | Уредот не работи на одредена брзина | <ul style="list-style-type: none"> ·Проверете дали ознаката на копчето за брзина одговара на ознаките за брзина на куќиштето. ·Завртете го копчето за брзина на 0, и повторно проверете дали уредот работи. |
| 5 | Движења кога уредот работи | <ul style="list-style-type: none"> ·Проверете дали паѓаат стапалата против лизгање. ·Проверете дали уредот е поставен на мазна и рамна маса. |
| 6 | Копчето за кревање не се враќа на своето место по инсталирањето на садот за мешање и капакот на садот | <ul style="list-style-type: none"> ·Проверете дали капакот на тенџерето е правилно поставен на уредот. ·Проверете дали садот за мешање е правилно поставен. |

Чистење

Пред чистење извадете го кабелот за струја од штекерот.
Никогаш не го потопувајте куќиштето со моторот во вода!
Не користете остри или абразивни детергенти

Куќиште за Мотор

Треба да се користи само влажна крпа за плакнење за чистење на надворешната страна на куќиштето.

Сад за Мешање, Опрема за Мешање

ВНИМАНИЕ:

- Компонентите не се погодни за чистење во машина за садови. Доколку се изложени на топлина или каустични средства за чистење, тие може да станат деформирани или да ја изгубат бојата.
- Компонентите што дошле во контакт со храна може да се исчистат во вода со сапуница.
- Оставете ги деловите да се исушат темелно пред повторно да го составите уредот.
- Ве молиме нанесете мала количина на растително масло на додатоците откако ќе се исушат.

Отстранување



Не го фрлајте уредот во обичен домашен отпад.

Фрлете го уредот преку регистрирана фирма за отстранување отпад или преку вашиот комунален објект за отстранување отпад.

Почитувајте ги моментално важечките прописи. Во случај на сомнеж, консултирајте се со вашиот објект за отстранување отпад.

Гаранција

Давателот на гаранцијата и овластен сервисер е АД ВИТА д.о.о., Товарнишка 7б, 3210 Словенске Коњице, Словенија, и ја презема одговорноста дека производот ќе работи беспрекорно за време на периодот на гаранција. Во текот на периодот на гаранција којшто започнува со доставата на производот, ќе ги поправиме сите несовершености и дефекти на производот што би се појавиле како резултат на нормалното користење на производот. Гаранцијата е поништена кога производот бил манипулиран од лице кое не е овластено од издавачот на гарантната картичка или кога неоригиналните делови биле користени за поправка. Доколку производот не се поправи за 45 дена од добивањето на барањето за услуга, давателот на гаранцијата ќе го замени со нов, идентичен и беспрекорен производ бесплатно. Гарантниот период ќе биде продолжен за бројот на денови додека траела поправката.

Гаранцијата не опфаќа:

1. механички оштетувања и дефекти поради неправилно користење и/или одржување на производот.
2. штета предизвикана од виша сила.
3. потрошен материјал.

Гаранцијата е важечка за земјата во којашто е извршено купувањето и се спроведува на местото каде што е извршено купувањето или од овластен препродавач за овој пазар, што е наведено во декларацијата на производот на пакувањето. Гаранцијата не ги исклучува правата на потрошувачот кои произлегуваат од одговорноста на продавачот за дефекти на испорачаниот производ. Периодот на гаранција трае 24 месеци. За поправка на производот е одговорен увозникот за поединечни пазари.

Производ: _____

Датум на испорака на производот: _____

Dane techniczne

Model: SM-1518

Napięcie znamionowe: 220-240V~ 50-60Hz

Pobór energii: 1400W

Klasa ochrony: II

Ogólne instrukcje bezpieczeństwa

Przed uruchomieniem urządzenia należy przeczytać uważnie instrukcję obsługi i zachować ją wraz z gwarancją, paragonem oraz, jeśli to możliwe, pudełkiem z opakowaniem wewnętrznym. W przypadku przekazania tego urządzenia innym osobom prosimy o przekazanie również instrukcji obsługi. Urządzenie jest przeznaczone wyłącznie do użytku prywatnego zgodnie z jego przeznaczeniem. To urządzenie nie nadaje się do użytku komercyjnego. Nie należy używać go na zewnątrz (chyba że jest przeznaczone do użytku na zewnątrz). Należy trzymać je z dala od źródeł ciepła, bezpośredniego światła słonecznego, wilgoci (nigdy nie należy zanurzać go w żadnej cieczy) i ostrych krawędzi. Nie należy używać urządzenia mokrymi rękoma. Jeśli urządzenie jest wilgotne lub mokre, należy natychmiast odłączyć je od zasilania. Podczas czyszczenia lub odkładania urządzenia należy je wyłączyć i zawsze wyciągać wtyczkę z gniazdka (ciągnąc za wtyczkę, a nie za kabel), jeśli urządzenie nie jest używane. Należy też odłączyć dołączone akcesoria. Nie należy obsługiwać urządzenia bez nadzoru. Jeśli musisz opuścić miejsce pracy, zawsze należy wyłączyć urządzenie lub wyjąć wtyczkę z gniazdka (ciągnąc za wtyczkę, a nie za kabel). Należy regularnie sprawdzać urządzenie i kabel pod kątem uszkodzeń. Nie należy używać urządzenia, jeśli jest uszkodzone. Nie należy próbować samodzielnie naprawiać urządzenia. Zawsze należy kontaktować się z autoryzowanym technikiem. Aby uniknąć narażenia na niebezpieczeństwo, wymianę uszkodzonego kabla należy zawsze zlecić wyłącznie producentowi, naszemu serwisowi lub wykwalifikowanej osobie na przewód tego samego typu. Należy używać wyłącznie oryginalnych części zamiennych. Należy zwrócić szczególną uwagę na następujące „Specjalne instrukcje dotyczące bezpieczeństwa”.

Dzieci i osoby o ograniczonych możliwościach

Aby zapewnić bezpieczeństwo dzieciom, należy przechowywać wszystkie opakowania (plastikowe torby, pudełka, styropian itp.) poza ich zasięgiem. Uwaga! Nie należy pozwalać małym dzieciom bawić się folią, ponieważ grozi to uduszeniem! To urządzenie nie może być używane przez dzieci. Urządzenie i jego przewód należy przechowywać w miejscu niedostępnym dla dzieci. To urządzenie nie jest zabawką. Dzieciom nie wolno bawić się tym urządzeniem. Urządzenia mogą być używane przez osoby o ograniczonych zdolnościach fizycznych, sensorycznych lub umysłowych lub nieposiadających doświadczenia i wiedzy, jeśli zostaną one nadzorowane lub poinstruowane w zakresie bezpiecznego korzystania z urządzenia oraz jeśli rozumieją związane z tym zagrożenia.

Specjalne instrukcje bezpieczeństwa dotyczące tego urządzenia

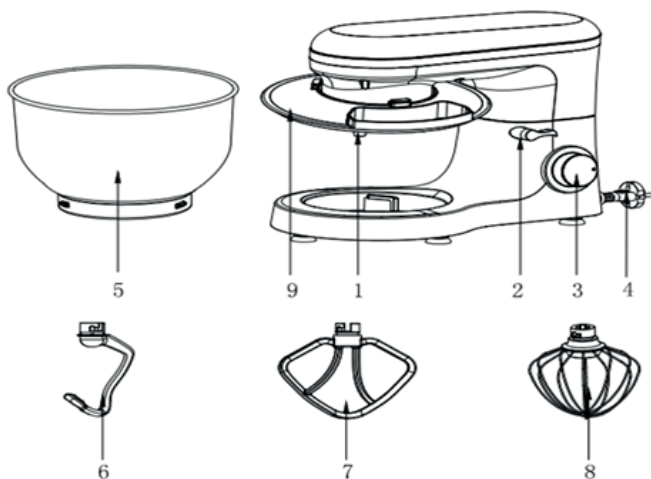
Zawsze należy odłączać urządzenie od zasilania, jeśli jest pozostawione bez nadzoru oraz przed montażem, demontażem lub czyszczeniem. Urządzenie należy wyłączyć i odłączyć je od zasilania przed wymianą akcesoriów lub zbliżaniem się do ruchomych części podczas użytkowania. Urządzenia nie należy używać niezgodnie z jego przeznaczeniem. Uwaga: Aby uniknąć niebezpieczeństwa wynikającego z nieumyślnego zresetowania wyłącznika termicznego, tego urządzenia nie wolno zasilac przez zewnętrzne urządzenie przelączające, takie jak czasomierz, ani podlączac do obwodu, który jest regularnie wlączany i wlączany przez zaklad energetyczny. Urządzenie należy obsługiwać tylko pod nadzorem. Nie należy ingerować w żadne wlączniki bezpieczeństwa. Nie należy wkładać niczego do obracających się haków podczas pracy urządzenia. Urządzenie należy umieścić na gładkiej, płaskiej i stabilnej powierzchni roboczej. Nie należy wkładać wtyczki sieciowej urządzenia do gniazdka elektrycznego bez zainstalowania wszystkich niezbędnych akcesoriów.

Przegląd części urządzenia

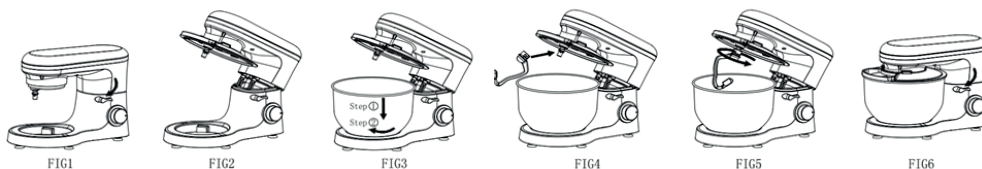
Używanie miski do mieszania

- Aby podnieść ramię, obróć pokrętło do podnoszenia (2) zgodnie z ruchem wskazówek zegara. Ramię przesunie się w górę. (RYS. 1)
- Umieść pokrywę miski w korpusie. (RYS. 2)
- Umieść miskę do mieszania w uchwycie (krok 1) i obróć naczynie zgodnie z ruchem wskazówek zegara, aż zablokuje się na swoim miejscu (krok 2). (RYS. 3)
- Zamontuj wymagany element (końcówka do zagniatania ciasta, trzepaczkę lub ubijak), wkładając górną część do uchwytu wyjściowego i obracając w kierunku przeciwnym do ruchu wskazówek zegara, aż część zablokuje się na swoim miejscu. (RYS. 4 i RYS. 5)
- Następnie dodaj składniki.
- Nie należy przepelniać urządzenia - maksymalna ilość składników to 1,5 kg.
- Opuść ramię za pomocą pokrętła do podnoszenia (2). (RYS. 6)
- Włóż wtyczkę sieciową do prawidłowo zainstalowanego bezpiecznego gniazdka elektrycznego 220-240V 50/60 Hz




- 1 Uchwyt wyjściowy
- 2 Pokrętło do podnoszenia
- 3 Pokrętło prędkości
- 4 Kabel zasilający
- 5 Łuk mieszający
- 6 Końcówka do zagniatania ciasta
- 7 Ubijak
- 8 Trzepaczka
- 9 Pokrywka miski



- Włącz urządzenie za pomocą pokrętła prędkości na prędkość między 1 a 6 (odpowiadającą produktom).
- 9. W przypadku pracy pulsacyjnej (ugniatanie w krótkich odstępach czasu) ustaw przełącznik w pozycji „PULSE”. Przełącznik musi być trzymany w tej pozycji zgodnie z żądaną długością interwału. Po zwolnieniu przełącznika powraca on automatycznie do pozycji „0”.
- Po ugniataniu/mieszaniu obróć pokrętło prędkości (3) z powrotem do pozycji „0”, gdy tylko masa uformuje się w kulę. Następnie wyjmij wtyczkę sieciową.
- Popchnij pokrętło do podnoszenia (2) w dół, a ramię zostanie podniesione.
- Mieszaninę można teraz uwolnić za pomocą szpatułki i wyjąć z miski do mieszania.
- Miska do mieszania może zostać teraz wyjęta.
- Wyczyść części zgodnie z opisem w sekcji „Czyszczenie”.



Regulacja poziomów i używanie haka do ciasta dla nie więcej niż 1,5 kg mieszanki

| Użycie | Zdjęcie | Poziomy | Czas (Min) | Maksimum | Metoda działania |
|---------------------------------------|-----------------------------------------------------------------------------------|---------|-------------|------------------------|---------------------------------------------------------------------------------------------------------------|
| Końcówka do zagniatania ciasta |  | 1-3 | 3-5 | 1000g mąki i 538g wody | Prędkość 1 przez 30 s, prędkość 2 przez 30 s, a następnie prędkość 3 przez 2 min do 4 min, aby utworzyć masę. |
| Ubijak |  | 2-4 | 3-5 | 660g mąki i 840g wody | Prędkość 2 przez 20 s, prędkość 4 przez ponad 2 min i 40 s. |
| Trzepaczka |  | 6 | 3-10 | 3 białka jaj (Minimum) | Prędkość 6 przez ponad 3 minuty. |

| Rozwiązywanie problemów | | |
|-------------------------|------------------------------------------------------------------------------------------------------|--------------------------------------------------------------------------------------------------------------------------------------------------------------------------------------------------------------------------------------------------------------------------------------------------------------------------------|
| Nr | Problem | Rozwiązanie |
| 1 | Urządzenie nie działa | <ul style="list-style-type: none"> · Należy sprawdzić, czy wtyczka ma dobry kontakt z gniazdem. · Należy sprawdzić, czy przycisk podnoszenia sprężynuje z powrotem na miejsce. · Należy sprawdzić, czy urządzenie pracuje nieprzerwanie dłużej niż 6-10 minut i poczekać, aż silnik ostygnie. |
| 2 | Hałas w misce do mieszania podczas pracy (element ociera o naczynie) | <ul style="list-style-type: none"> · Należy sprawdzić, czy miska do mieszania jest prawidłowo zainstalowana. · Należy sprawdzić, czy element został prawidłowo zainstalowany w urządzeniu. |
| 3 | Pokrywka nie pasuje miski do mieszania | <ul style="list-style-type: none"> · Należy sprawdzić, czy pokrywka jest prawidłowo założona na urządzenie. · Należy sprawdzić, czy miska do mieszania jest prawidłowo zamontowana na urządzeniu i prawidłowo zablokowana. |
| 4 | Urządzenie nie działa z określoną prędkością | <ul style="list-style-type: none"> · Należy sprawdzić, czy znak na pokrętle prędkości odpowiada oznaczeniom prędkości na obudowie. · Należy obrócić pokrętkę prędkości na 0 i ponownie sprawdzić, czy urządzenie działa. |
| 5 | Ruchy podczas pracy urządzenia | <ul style="list-style-type: none"> · Należy sprawdzić, czy nóżki antypoślizgowe nie odpadają. · Należy sprawdzić, czy urządzenie jest ustawione na gładkim i płaskim blacie. |
| 6 | Przycisk do podnoszenia nie odskoczył na swoje miejsce po zamontowaniu miski do mieszania i pokrywki | <ul style="list-style-type: none"> · Należy sprawdzić, czy pokrywka jest prawidłowo założona na urządzenie. · Należy sprawdzić, czy miska do miksowania jest prawidłowo zainstalowana. |

Czyszczenie

Przed czyszczeniem należy wyjąć przewód zasilający z gniazdka.

Nigdy nie należy zanurzać obudowy wraz z silnikiem w wodzie!

Nie należy używać żadnych ostrych ani ściernych detergentów.

Obudowa silnika

Do czyszczenia zewnętrznej powierzchni obudowy należy używać wyłącznie wilgotnej ściereczki.

Miska do mieszania, elementy do mieszania

UWAGA:

- Elementy te nie nadają się do mycia w zmywarce. W przypadku wystawienia na działanie ciepła lub żrących środków czyszczących mogą ulec zniekształceniu lub odbarwieniu.
- Elementy, które miały kontakt z żywnością, można czyścić wodą z mydłem.
- Części należy pozostawić do całkowitego wyschnięcia przed ponownym złożeniem urządzenia.
- Po wyschnięciu części należy na nie nałożyć niewielką ilość oleju roślinnego.

Utylizacja



Nie należy wyrzucać urządzenia do normalnych odpadów domowych.

Urządzenie należy zutylizować w zarejestrowanej firmie zajmującej się utylizacją odpadów lub za pośrednictwem komunalnego zakładu utylizacji odpadów.

Należy przestrzegać aktualnie obowiązujących przepisów. W razie wątpliwości należy skontaktować się z zakładem utylizacji odpadów.

Gwarancja

Dostawcą gwarancji i autoryzowanym dostawcą usług jest firma AD Vita d.o.o., Tovarniška 7b, 3210 Slovenske Konjice, Słowenia, która przyjmuje na siebie odpowiedzialność za bezawaryjną pracę produktu w okresie gwarancyjnym. W okresie gwarancyjnym, który rozpoczyna się od dostarczenia produktu, usuniemy wszelkie niedoskonałości i wady produktu, które mogą wystąpić w wyniku normalnego użytkowania produktu. Gwarancja traci ważność, jeżeli produkt został naruszony przez osobę nieupoważnioną przez wystawcę karty gwarancyjnej lub gdy do naprawy użyto nieoryginalnych części.

Jeśli produkt nie zostanie naprawiony w ciągu 45 dni od otrzymania zgłoszenia serwisowego, dostawca gwarancji wymieni go na nowy, identyczny i nieskazitelny produkt za darmo. Okres gwarancji zostanie wydłużony o liczbę dni naprawy.

Gwarancja nie obejmuje:

1. uszkodzeń mechanicznych i wad powstałych w wyniku nieprawidłowego użytkowania i/lub konserwacji produktu.
2. szkód spowodowanych siłą wyższą.
3. materiałów eksploatacyjnych.

Gwarancja jest ważna w kraju, w którym dokonano zakupu i jest egzekwowana w miejscu, w którym dokonano zakupu lub u autoryzowanego sprzedawcy na rynek, który został określony w deklaracji produktu na opakowaniu. Gwarancja nie wyłącza uprawnień konsumenta wynikających z odpowiedzialności sprzedawcy za wady dostarczonego towaru. Okres gwarancji trwa 24 miesiące. Za naprawę produktu odpowiada importer na poszczególne rynki.

Produkt: _____

Data dostawy towaru: _____

Technické údaje

Model: SM-1518

Menovité napätie: 220-240V~ 50-60Hz

Spotreba energie: 1400W

Trieda ochrany: II

Všeobecné bezpečnostné pokyny

Pred uvedením zariadenia do prevádzky si starostlivo prečítajte pokyny na prevádzku a uschovajte ich spolu so záručným listom, potvrdenkou a, ak je to možné, škatulou s vnútorným obalovým materiálom. Ak toto zariadenie venujete iným ľuďom, postúpte im, prosím, aj pokyny na prevádzku. Zariadenie je navrhnuté výlučne na súkromné použitie a stanovený účel. Toto zariadenie nie je určené na komerčné použitie. Nepoužívajte ho vo vonkajších priestoroch (pokiaľ nie je navrhnuté na použitie vo vonkajších priestoroch). Držte ho mimo zdrojov tepla, priameho slnečného svetla, vlhkosti (nikdy ho neponárajte do žiadnych tekutín) a ostrých hrán. So zariadením nemanipulujte mokrymi rukami. Ak je zariadenie vlhké alebo mokré, okamžite ho vypojte zo siete. Pri čistení alebo odkladaní zariadenie vypnite a zástrčku vždy vytiahnite zo zásuvky (ťahajte za zástrčku, nie za kábel), ak sa zariadenie nepoužíva a odstráňte pripojené príslušenstvo. Prístroj neprevádzkujte bez dohľadu. Ak sa chystáte opustiť pracovný priestor, prístroj vždy vypnite alebo vypojte zástrčku zo zásuvky (ťahajte za zástrčku, nie za kábel). Zariadenie a kábel pravidelne kontrolujte na poškodenia. Nepoužívajte zariadenie, ak je poškodené. Nesnažte sa zariadenie opraviť svojpomocne. Vždy kontaktujte autorizovaného technika. Aby ste sa vyhli riziku nebezpečenstva, vždy dbajte na výmenu chybného kábla za kábel rovnakého typu výlučne výrobcom, našim zákazníckym servisom alebo kvalifikovanou osobou. Používajte len originálne náhradné diely. Venujte dôkladnú pozornosť nasledujúcim „špeciálnym bezpečnostným pokynom“.

Deti a zraniteľné osoby

Aby ste zabezpečili bezpečnosť svojich detí, uchovávajte, prosím, všetky obalové materiály (plastové tašky, škatule, polystyrén atď.) mimo ich dosahu. Pozor! Nedovoľte malým deťom hrať sa s fóliou, pretože riskujete zadusenie! Toto zariadenie nie je určené na použitie deťmi. Zariadenie a jeho kábel uchovávajte mimo dosahu detí. Toto zariadenie nie je hračka. Deti sa nesmú so zariadením hrať. Zariadenia môžu byť používané osobami so zníženými fyzickými, zmyslovými alebo duševnými schopnosťami alebo nedostatkom skúseností a vedomostí, pokiaľ sú pod dozorom alebo boli poučené o použití zariadenia bezpečným spôsobom a pod podmienkou, že porozumeli hroziacim nebezpečenstvám.

Špeciálne bezpečnostné pokyny k tomuto prístroju

Zariadenie vždy vypojte zo zdroja napájania, ak je ponechané bez dozoru a pred montážou, demontážou alebo čistením.

Pred výmenou príslušenstva alebo pristúpením k dielom, ktoré sa počas prevádzky pohybujú, zariadenie vypnite.

Zariadenie nepoužívajte na iný než stanovený účel.

Pozor: Aby ste sa vyhli nebezpečenstvu v dôsledku náhodného resetu tepelnej elektrickej poistky, nesmie byť toto zariadenie napájané cez externé prepínacie zariadenie, ako je časovač, alebo pripojené k obvodu, ktorý je pravidelne zapínaný a vypínaný.

Tento prístroj prevádzkujte len pod dohľadom.

Nemanipulujte so žiadnymi bezpečnostnými spínačmi.

Nič nekladajte do otáčajúcich sa hákov, keď prístroj pracuje.

Prístroj umiestnite na hladký, rovný a stabilný povrch.

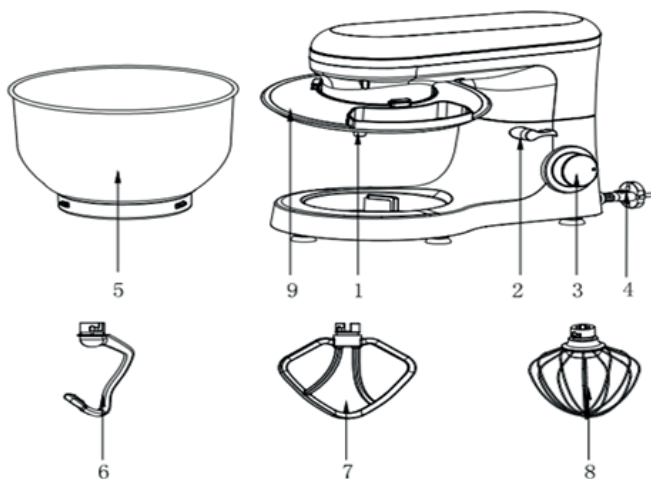
Nezapájajte sieťový kábel prístroja do zásuvky predtým, než nainštalujete všetko potrebné príslušenstvo.

Prehľad dielov

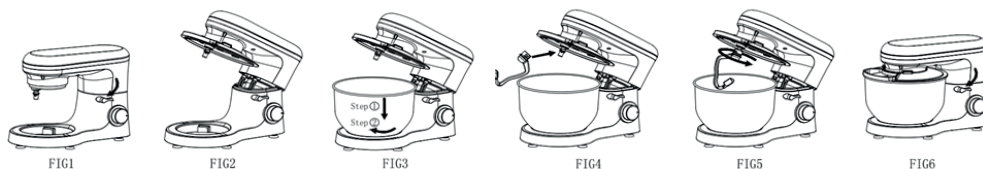
Použitie miešacej misy

- Na zdvihnutie ramena otočte gombík zdvihnutia (2) v smere hodinových ručičiek. Rameno sa teraz pohne nahor. (OBR1)
- Umiestnite kryt misy do jej tela. (OBR2)
- Umiestnite miešaciu misu do jej stojana (Krok 1) a otáčajte ju v smere hodinových ručičiek, až kým nezapadne na miesto (Krok 2). (OBR3)
- Namontujte požadované pomôcky (háč na cesto, miesič alebo šľahač) zasunutím vrchnej časti nadstavca do výstupného hriadeľa a otáčajte ho proti smeru hodinových ručičiek, kým nezapadne na miesto. (OBR A OBR5)
- Teraz pridajte prísady.
- Prístroj nepreplňte - maximálny objem prísad je 1,5 kg.
- Posuňte rameno nadol pomocou gombíka zdvihnutia (2). (OBR6)
- Zapojte napájací kábel do správnej nainštalovanej bezpečnostnej elektrickej zásuvky s parametrami 220-240V 50/60 Hz.




- 1 Výstupný hriadeľ
- 2 Gombík zdvihnutia
- 3 Rýchlostný gombík
- 4 Napájací kábel
- 5 Miešacia misa
- 6 Háč na cesto
- 7 Miesič
- 8 Šľahač
- 9 Kryt misy



- Nastavte rýchlosť prístroja pomocou rýchlostného gombíka na hodnotu medzi 1 a 6 (podľa zmesi).
- Pre pulzujúcu prevádzku (miesenie v krátkych intervaloch) prepnite spínač do polohy „PULZ“. Spínač musí ostať v tejto polohe po dobu trvania požadovaného intervalu. Akonáhle spínač uvoľníte, automaticky sa vráti do polohy „0“.
- Po miesení/miešaní prepnite rýchlostný gombík (3) späť do polohy „0“, akonáhle sa zmes sformovala do guľičky. Následne odstráňte napájací kábel.
- Zatlačte gombík zdvihnutia (2) nadol a rameno sa zdvihne.
- Zmes je teraz možné uvoľniť pomocou špachtle a vybrať z miešacej misy.
- Teraz môžete odstrániť miešaciu misu.
- Jednotlivé diely vyčistite, ako je to opísané v časti „Čistenie“.



Nastavenie úrovní a použitie háku na cesto so zmesou s objemom nepresahujúcim 1,5 kg

| Použitie | Obrázok | Úrovne | Čas (min) | Maximum | Spôsob prevádzky |
|--------------|-----------------------------------------------------------------------------------|--------|-----------|----------------------------|------------------------------------------------------------------------------------------------------------------------------------------------------|
| Hák na cesto |  | 1-3 | 3-5 | 1000 g múky a 538 g vody | Miešanie na rýchlosti 1 po dobu 30 s, miešanie na rýchlosti 2 po dobu 30 s a následne miešanie na rýchlosti 3 po dobu 2 až 4 min na vytvorenie masы. |
| Miesič |  | 2-4 | 3-5 | 660 g múky a 840 g vody | Prevádzka na rýchlosti 2 po dobu 20 s, prevádzka na rýchlosti 4 nepresahujúca 2 min 40 s |
| Šľahač |  | 6 | 3-10 | 3 vaječné bielka (Minimum) | Nastavenie 6 pre prevádzku dlhšiu ako 3 min. |

| Zisťovanie a odstraňovanie problémov | | |
|--------------------------------------|--------------------------------------------------------------------------------------|----------------------------------------------------------------------------------------------------------------------------------------------------------------------------------------------------------------------------------------------------------------------------------------------------------|
| Č. | Problémy | Riešenie |
| 1 | Prístroj nefunguje | <ul style="list-style-type: none"> ·Skontrolujte, či je zástrčka správne zapojená do zásuvky. ·Skontrolujte, či tlačidlo dvíhania vyskakuje späť do svojej polohy. ·Skontrolujte, či prístroj funguje nepretržite viac ako 6-10 minút a počkajte, kým sa motor schladí. |
| 2 | Hluk v miešacej misе počas prevádzky (príslušenstvo poškrabalo misu) | <ul style="list-style-type: none"> ·Skontrolujte, či je miešacia misа správne namontovaná. ·Skontrolujte, či je príslušenstvo správne namontované na prístroji. |
| 3 | Kryt misy správne nepasuje na miešaciu misu | <ul style="list-style-type: none"> ·Skontrolujte, či je kryt misy správne umiestnený na prístroji. ·Skontrolujte, či je miešacia misа správne namontovaná na prístroji a zamknutá vo svojej polohe. |
| 4 | Prístroj nefunguje na určitej rýchlosti | <ul style="list-style-type: none"> ·Skontrolujte, či označenie na rýchlostnom gombíku zodpovedá rýchlostným značkám na kryte. ·Otočte rýchlostný gombík na hodnotu „0“ a opätovne skontrolujte fungovanie prístroja. |
| 5 | Prístroj sa pohybuje počas prevádzky | <ul style="list-style-type: none"> ·Skontrolujte, či protišmykové nožičky neodpadávajú. ·Skontrolujte, či je prístroj umiestnený na hladkom a rovnom povrchu. |
| 6 | Tlačidlo dvíhania nevyšlo späť na svoje miesto po montáži miešacej misy a krytu misy | <ul style="list-style-type: none"> ·Skontrolujte, či je kryt misy správne umiestnený na prístroji. ·Skontrolujte, či je miešacia misа správne namontovaná. |

Čistenie

Pred čistením vypojte napájací kábel zo zásuvky.

Kryt s motorom nikdy neponárajte do vody!

Neponúžívajte žiadne ostré alebo abrazívne čistiace prostriedky.

Kryt motora

Na čistenie vonkajšej časti krytu by mala byť používaná len navlhčená utierka.

Miešacia misa, miešacie vybavenie

POZOR:

- Diely nie sú určené na čistenie v umývačke riadu. Ak budú vystavené teplu alebo kaustickým čistiacim prostriedkom, môže u nich dôjsť k deformácii alebo zmene farby.
- Diely, ktoré sa dostali do kontaktu s potravinami, je možné vyčistiť v mydlovej vode.
- Nechajte diely dôkladne vyschnúť predtým, než zariadenie znovu zmontujete.
- Akonáhle nadstavce vyschnú, aplikujte na ne, prosím, malé množstvo rastlinného oleja.

Likvidácia



Zariadenie nevyhadzujte spolu s bežným odpadom z domácnosti.

Zariadenie zlikvidujte u registrovanej spoločnosti na likvidáciu odpadu alebo prostredníctvom vášho miestneho zariadenia na likvidáciu odpadu.

Riadte sa aktuálne platnými predpismi. V prípade pochyb kontaktujte svoje miestne zariadenie na likvidáciu odpadu.

Záruka

Poskytovateľom záruky a autorizovaným poskytovateľom služieb je spoločnosť AD Vita d.o.o., Tovarniška 7b, 3210 Slovenske Konjice, Slovinsko, ktorá zároveň preberá zodpovednosť za to, že výrobok bude počas záručnej doby fungovať bezchybne. Počas záručnej doby, ktorá začína dodaním produktu, opravíme všetky nedokonalosti a závady na produkte, ktoré by sa vyskytli v dôsledku bežného používania výrobku. Záruka zaniká, ak bolo do výrobku zasahované osobou, ktorá nie je oprávnená vydavateľom záručného listu, prípadne ak boli na opravu použité neoriginálne diely.

Ak produkt nebude opravený do 45 dní od prijatia požiadavk na opravu, poskytovateľ záruky ho nahradí a poskytne kupujúcemu nový, identický a bezchybný produkt zadarmo. Záručná doba sa predlžuje o taký počet dní, koľko trvala oprava výrobku.

Záruka sa nevzťahuje na:

1. mechanické poškodenia a vady v dôsledku nesprávneho používania a/alebo údržby produktu.
2. škody spôsobené vyššou mocou.
3. spotrebný materiál.

Záruka platí v krajine, v ktorej bol nákup uskutočnený, a uplatňuje sa v mieste nákupu alebo od autorizovaného predajcu pre tento trh, táto skutočnosť je uvedená vo vyhlásení o produkte na obale výrobku. Záruka nevyklučuje práva spotrebiteľa, vyplývajúce zo zodpovednosti predávajúceho za vady dodaného tovaru. Záručná doba trvá 24 mesiacov. Za opravu výrobku je zodpovedný dovozca pre jednotlivé trhy.

Produkt: _____

Dátum dodania tovaru: _____



ROSMARINO®
YOUR FRIEND IN THE KITCHEN